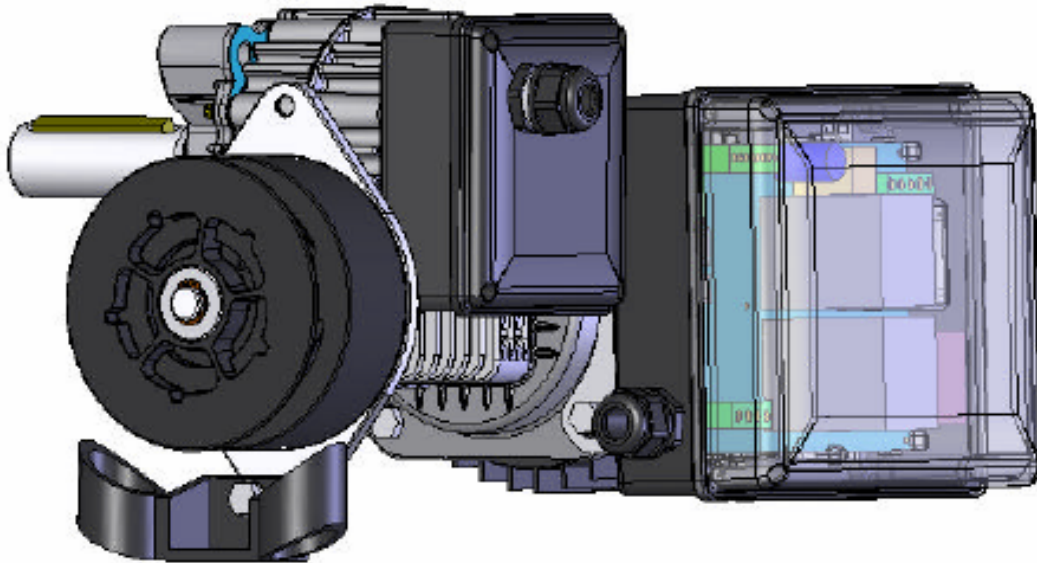




GRIFCO

Rotation Bracket Kit Installation Manual

Rev: 602140



Maestro Enclosure Rotation Bracket Kit (RBK1)

1 x Rotation Bracket	2 x Black rubber Grommet
1 x Optical Encoder Enclosure Lid	2 x Black 20mm Gland
1 x 550mm RJ11 OE Cable	

Purpose

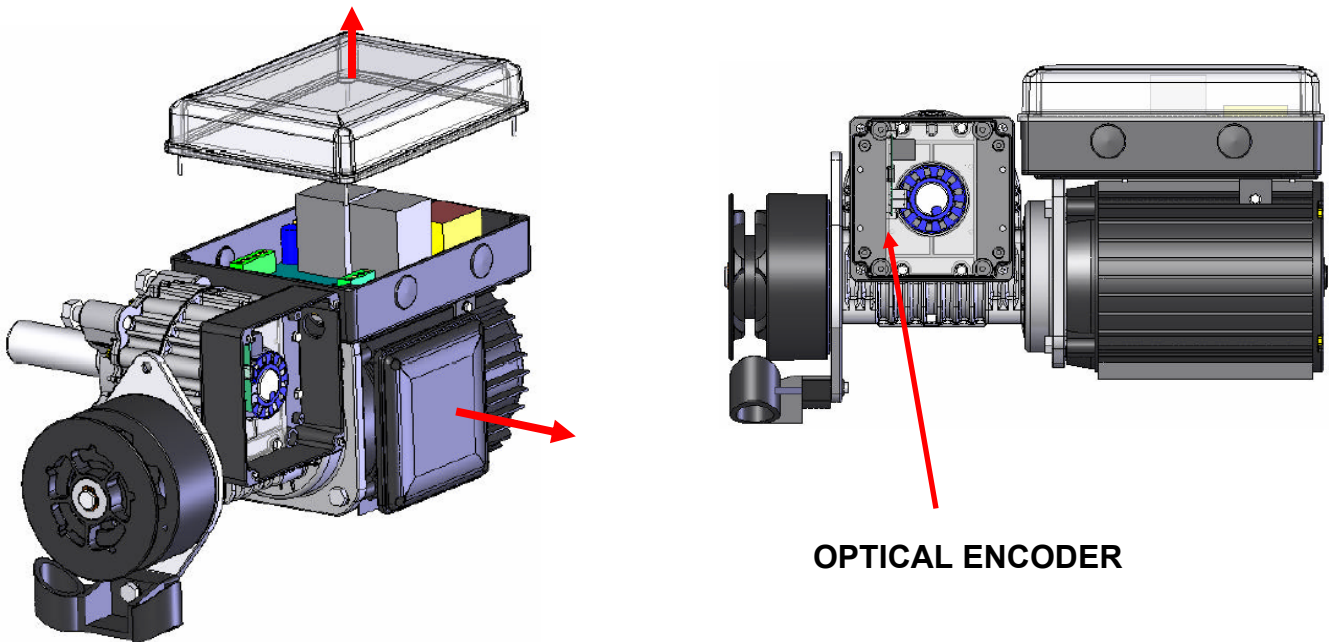
The Rotation Bracket Kit is designed for installations that have insufficient over head clearance (less than 150mm) to access and service the Main Control Board. The Rotation Bracket Kit allows the Main Control Board enclosure and motor to rotate to a position that allows easy access to the Main Control Board.

Installation

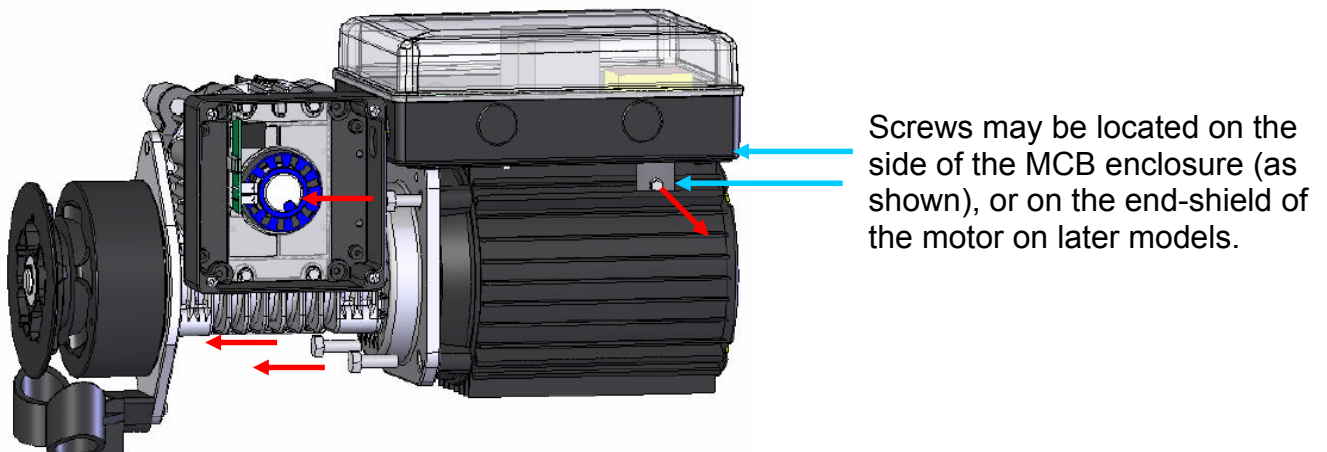
It is recommended that installation of the Maestro Rotation Bracket Kit be completed before the Maestro Operator is installed if possible. Ensure any power source connected to the Maestro Operator is OFF for the duration of the installation.

Please read and understand instructions before attempting installation

- Remove the lids of both the Main Control Board (MCB) enclosure and Optical Encoder (OE) enclosure. Discard the OE lid as it is no longer required.



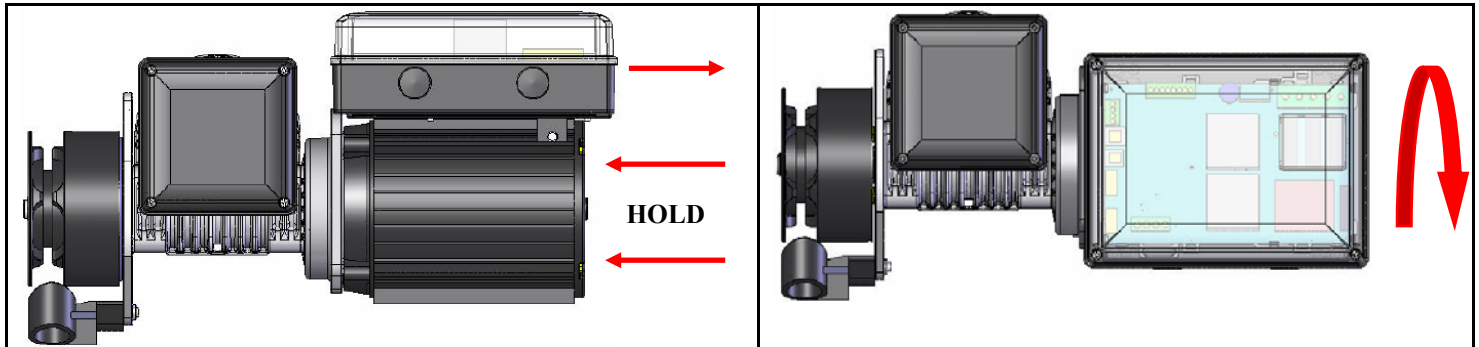
- Remove the 300mm long RJ11 OE cable connecting the Optical Encoder to the MCB.
- Remove the four bolts connecting the motor to the motor flange of the gearbox. Make sure the motor is unable to move away from the gearbox as the motor is now only supported by the shaft connection to the gearbox.



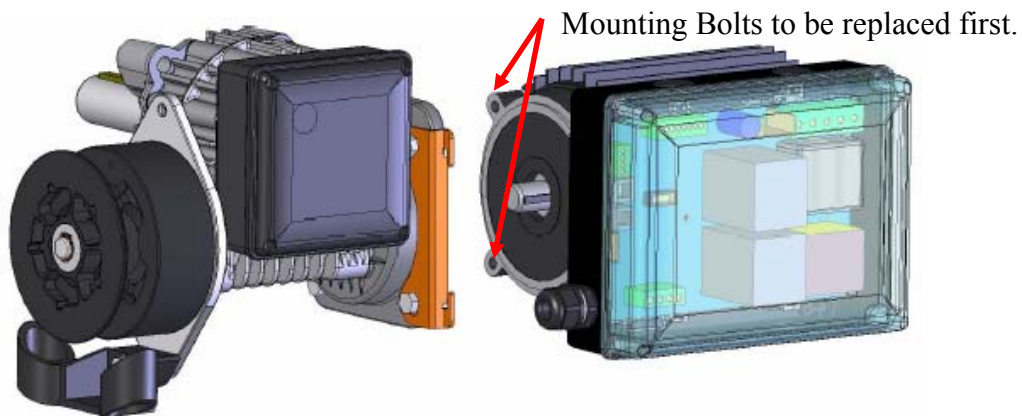
- Holding the MCB enclosure in position, undo the screws which secure the steel base plate of the MCB enclosure to the motor (see above). (The MCB enclosure and motor are now only being restricted from rotating by the top of the steel base plate which protrudes into the motor flange of the gearbox.)

Please read and understand instructions before attempting installation

- Hold onto the motor while sliding back the MCB enclosure until it has separated by approximately 3mm from the motor flange. (The MCB enclosure is unable to be fully removed from the motor as it is connected by wiring through the base of the MCB enclosure.)



- Very carefully rotate both the MCB enclosure and motor to the desired position and replace the two mounting bolts indicated below.



- Replace the remaining two mounting bolts with the Rotation Bracket positioned between the bolt head and motor flange. The rotation bracket should bend towards the MCB enclosure.
- Move the MCB enclosure back into position so the top of the steel base plate slots in under the hooks of the Rotation Bracket.
- Tighten all four motor flange mounting bolts to a torque of no less than 18 Nm, and replace the screws which fix the MCB enclosure to the motor.
- Discard the offset grommet that had been used to provide a seal between the OE and MCB enclosures and use a push in grommet to seal the hole in the side of the OE enclosure.
- Connect the supplied 600mm RJ12 OE cable to the optical encoder using the clip at the top of the plastic OE cradle to fasten the cable away from the OE wheel.
- Draw the 600mm RJ12 OE cable through the supplied gland/OE lid assembly and screw the lid to the enclosure. Pull all of the available OE cable through the gland and fasten tightly to ensure no loose cable remains in the OE enclosure. (Loose cable may interfere with the OE wheel and cause failure of the Maestro Operator).
- Reconnect the 600mm OE cable to the RJ12 port on the MCB using a gland to secure the entry of the cable to the MCB enclosure.
- Replace the MCB enclosure lid and make sure all cable entries of the MCB enclosure are sealed by a gland or grommet.

Installation of the Maestro Rotation Bracket is now complete.

WARRANTY / GUARANTEE

Chamberlain Australia Pty Ltd herein referred to as "The Company"

- (a) The Company shall guarantee the goods for a period of two years from the date of invoice against any defects in construction or operation arising solely from faulty design, materials or workmanship subject to the following clauses.
- (b) The Company shall at its option, repair, modify or replace defective parts or units at its own expense and within a reasonable time but the Company shall not unless otherwise agreed in writing be liable for costs associated with removal, replacement, transport or travelling expenses incurred by the Purchaser in obtaining the goods and returning them to the Company.
- (c) The Company does not guarantee the goods where:-
 - (i) the defect rises from materials supplied by the Purchaser or a design requested by the purchaser; or
 - (ii) the defect arises from ordinary wear and tear, neglect or misuse by the Purchaser, accident, lack of care, insufficient maintenance, incorrect installation or improper use of the goods; or
 - (iii) the defect arises from force majeure; or
 - (iv) the Purchaser has in any way modified or repaired the goods without the Company's prior written consent; or
 - (v) the Purchaser has not complied with any written or oral instructions concerning the operation and maintenance of the goods; or
 - (vi) the Purchaser is in default in the observance or performance of any other provisions of the contract; or
 - (vii) The Grifco electric motors are used in conjunction with controls other than those assembled and supplied by the Company.
- (d) Where warranty is approved for goods in a used condition, such goods will be repaired or replaced and returned to the purchaser as the Company sees fit. Refunds or credits will only be considered for goods not used and in new, undamaged condition.
- (e) The Company's liability under this guarantee will be strictly limited to repairing or replacing a defective product at the Company's premises, as it may elect.
- (f) The provision of sub-clauses (a) and (b) are stipulated for the benefit of the Purchaser only and are not intended for the benefit of any third party.
- (g) Save for sub-clauses (a) and (b) the Company does not give any warranty or guarantee or make representations whatever in respect of the goods or the fitness of the goods or any part thereof or any particular purposes (whether or not that purpose is known to the Company).

Chamberlain Australia Pty Ltd

15 Dell Rd West Gosford
NSW 2250
Australia

Ph. +61 (02) 43233877
Fax. +61 (02) 43233882

www.grifco.com.au
sales@grifco.com.au
technical@grifco.com.au