

Sales & Application Note N1- CB19

Release Apr 07:

The release of the CB 19 occurred which replaces the CB 9 board.
 The features are similar to other Menu driven control boards.

- 5 wire systems
- 3 wire systems (Firmware ver 0.04 or above)
- 2 wire systems (control timer only)
- 2 wire systems (current control)

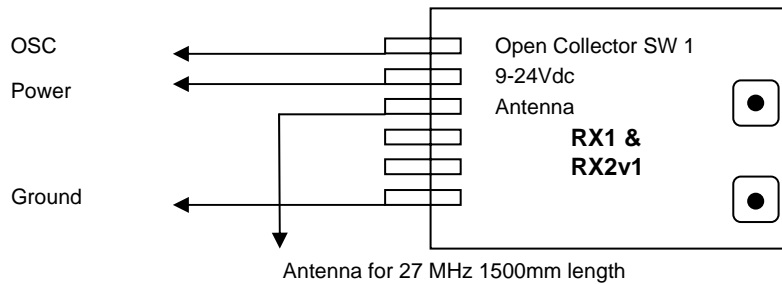
Release Jul 07:

Some difficulties have been experienced with 3 wire systems. Boards require modification before these can be fitted. An update on firmware and hardware will be developed that will allow all CB19 to operate regardless on motor system. For now please order CB19 and ask for this modification to suit 3 wire systems.

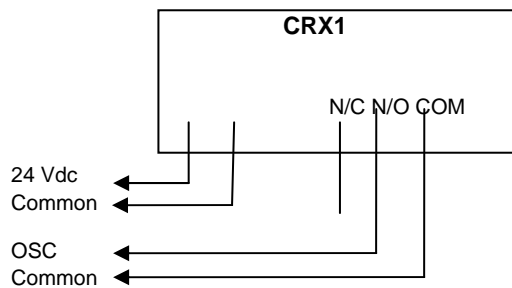
○ Transferring transmitters:

1. RX1 & RX2v1

These receivers can be wired in to CB-19 boards using a harness # 01905.
 Please ensure a suitable antenna wire is used 27MHz 1500mm length.



2. CRX-1



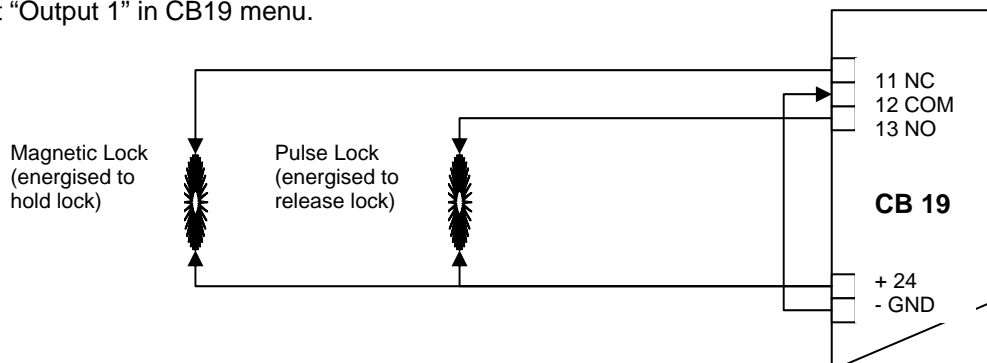
3. RX2-2

These receiver kits can be fitted in the same way as the RX1 & RX2v1. It is IMPORTANT to fit an external Electrolytic Capacitor 470uF 50V across the 24Vdc +ve & -ve terminals.

○ Gate Solenoid Lock:

Aug 07

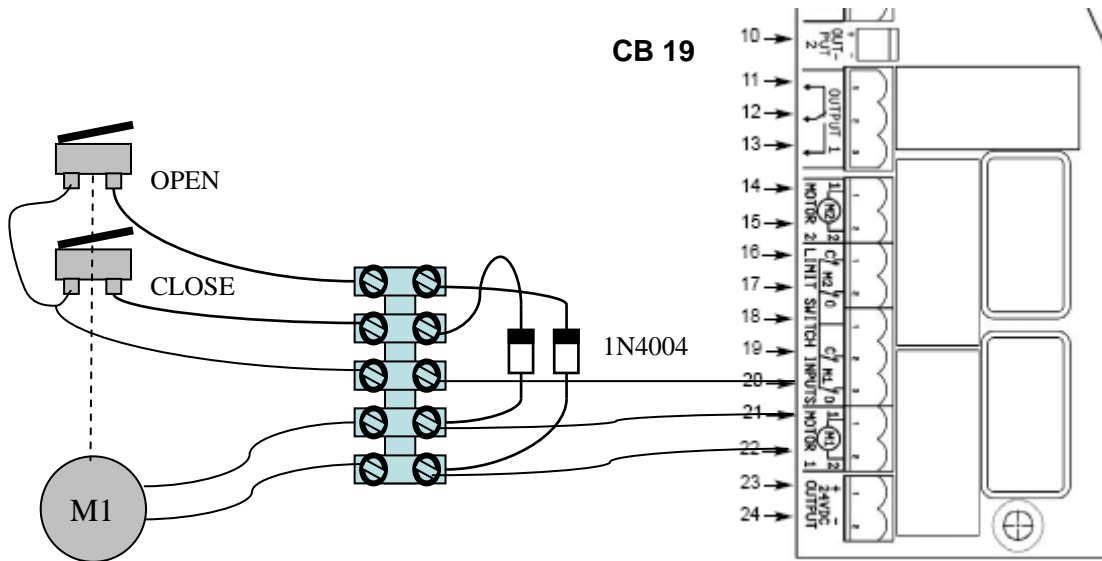
Set "Output 1" in CB19 menu.



Sales & Application Note

○ **3 Wire Terminal Block:**

Wiring details when using a terminal block for a 3 wire system. Duplicate for M2 wiring, see page 6 of the CB19 manual.



○ **Supply voltage error:**

Dec 07

Several gate systems that use the CB19 experience the control board displaying “supply voltage error”. This is caused by an incorrect voltage supply. The error can be reset by pressing the SET button and then the operation returns to normal.

Cause:

All transformers should have an output between 23-25 VAC. The problem usually occurs when older Gate Openers models are updated with a CB19. The existing transformer may have a higher output eg. Above 28VAC and do not meet these specifications.

Solution:

Check all transformers on installation of a CB19s for correct output.
 Transformers can be ordered as a separate part # 02025

○ **Firmware Update ver 0.06 DRAFT**

Jan 08

The synch delay on closing seems to work well. However the synch delay on opening does not change even when the value is changed in the menu. Version 6 firmware solves this problem.