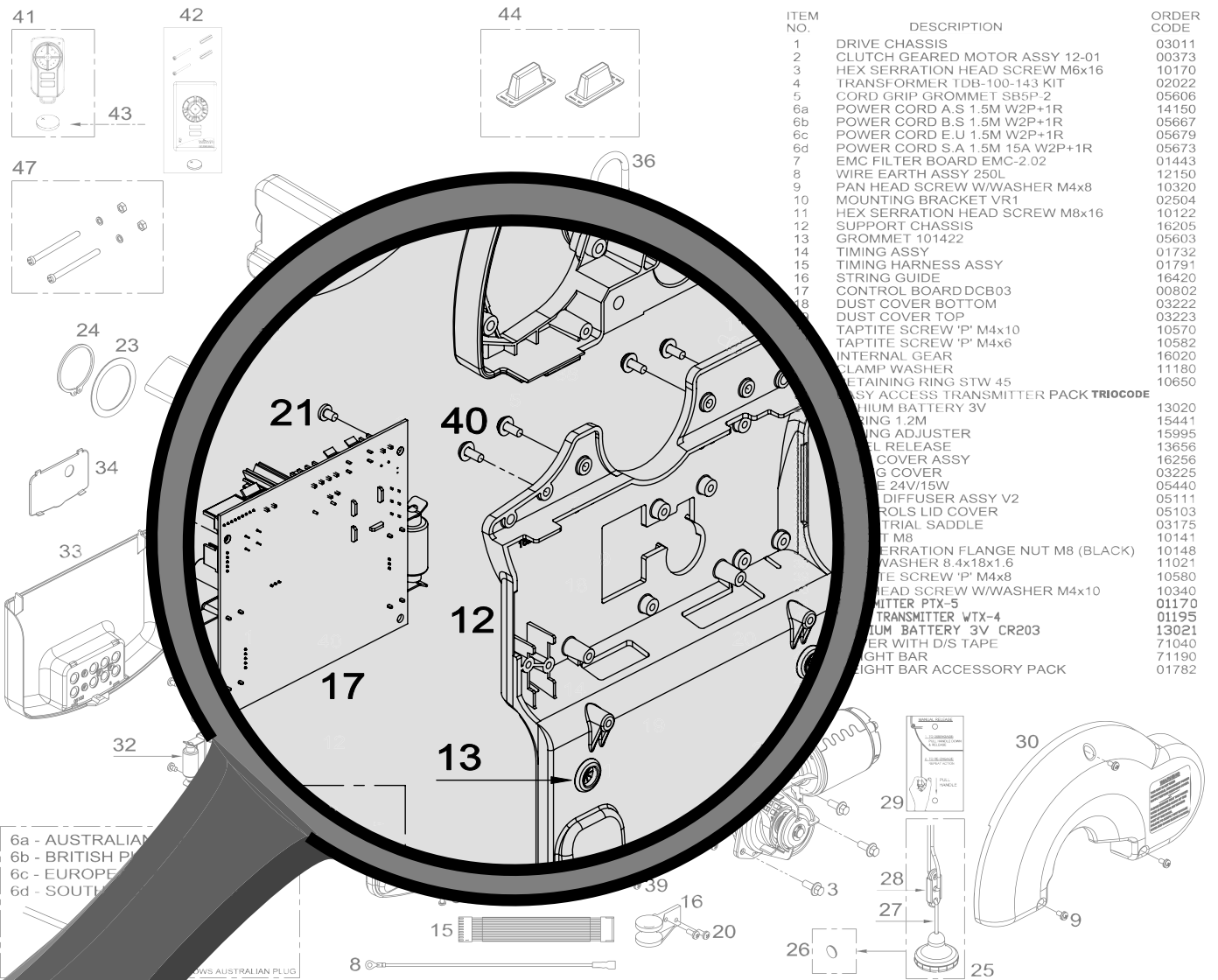




Exploded Part Diagrams

Door, Gate & Industrial Openers



automatic
TECHNOLOGY

smart | simple | secure



WARNING: It is vital for the safety of persons to follow all instructions. Failure to comply with the installation instructions and the safety warnings may result in serious personal injury and/or property damage.

Please save these instructions for future reference.

Automatic Technology (Australia) Pty Ltd to the extent that such may be lawfully excluded hereby expressly disclaims all conditions or warranties, statutory or otherwise which may be implied by laws as conditions or warranties of purchase of an Automatic Technology (Australia) Pty Ltd Garage Door Opener. Automatic Technology (Australia) Pty Ltd hereby further expressly excludes all or any liability for any injury, damage, cost, expense or claim whatsoever suffered by any person as a result whether directly or indirectly from failure to install the Automatic Technology (Australia) Pty Ltd Garage Door Opener in accordance with these installation instructions.



Exploded Parts Diagrams

April 2008 Reference Guide

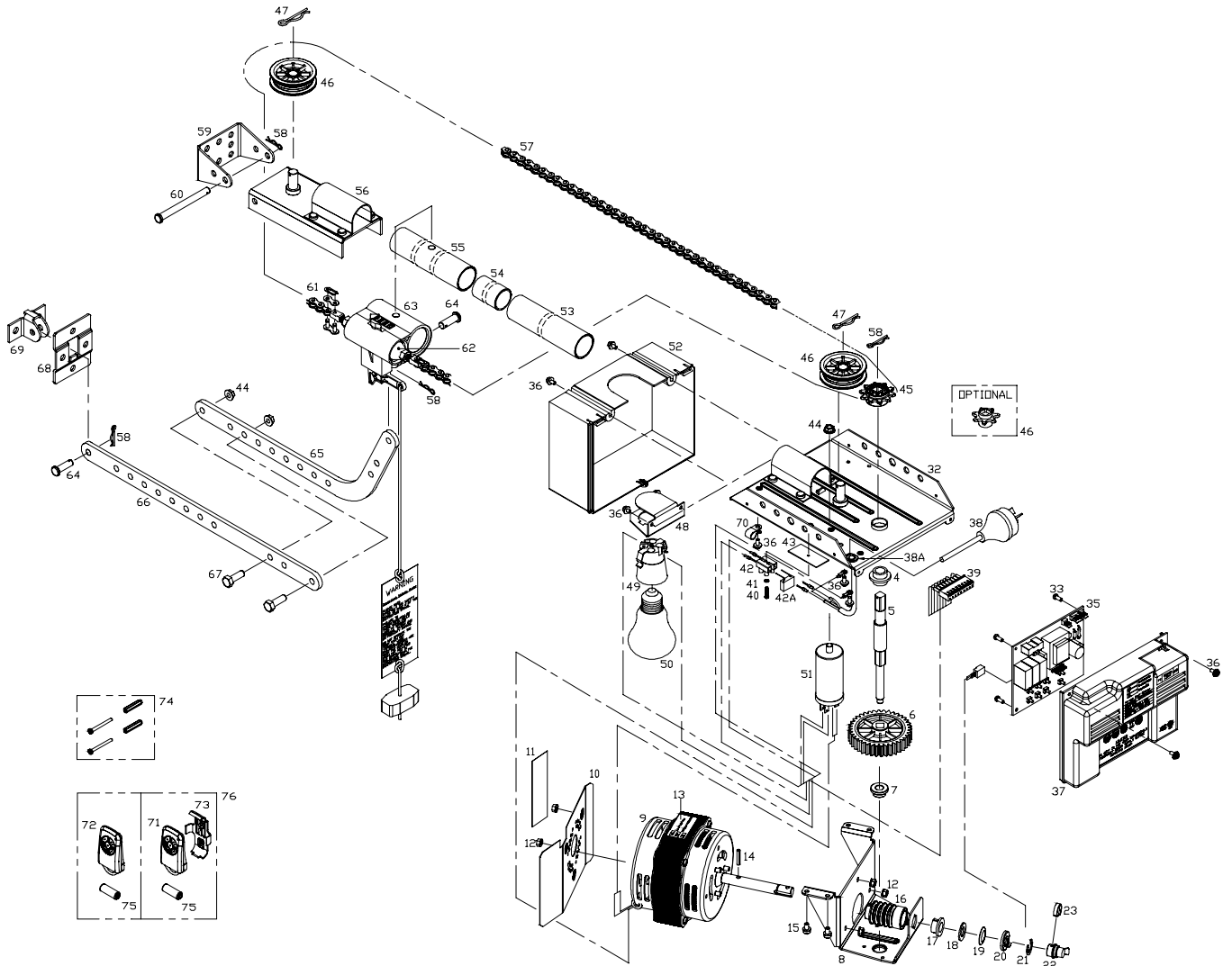
Sectional Door Openers	4
GDO-2v6	4
GDO-2v7	5
GDO-7v1	6
GDO-7v2	7
GDO-9v1	8
GDO-9v2	9
Roll Up Door Openers	10
GDO-4v3	10
GDO-4v4	11
GDO-5	12
GDO-6v1	13
GDO-6v2	14
GDO-6v3	15
GDO-8v1	16
Domestic Gate Openers	17
SGO-1v3 Elite™	17
SGO-2v4 EasySlider®	18
ESV-24 EasySlider®	19
ESV-24MS EasySlider®	20
Industrial Openers	21
Axess® 1100	21



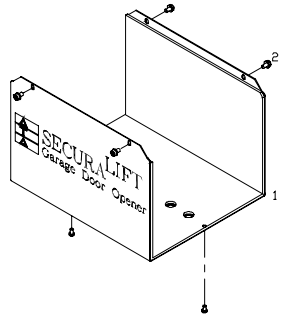
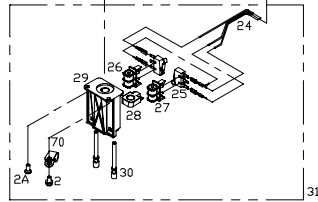


GDO-2v6 SecuraLift®

AC Overhead Garage Door Opener (Microswitches)



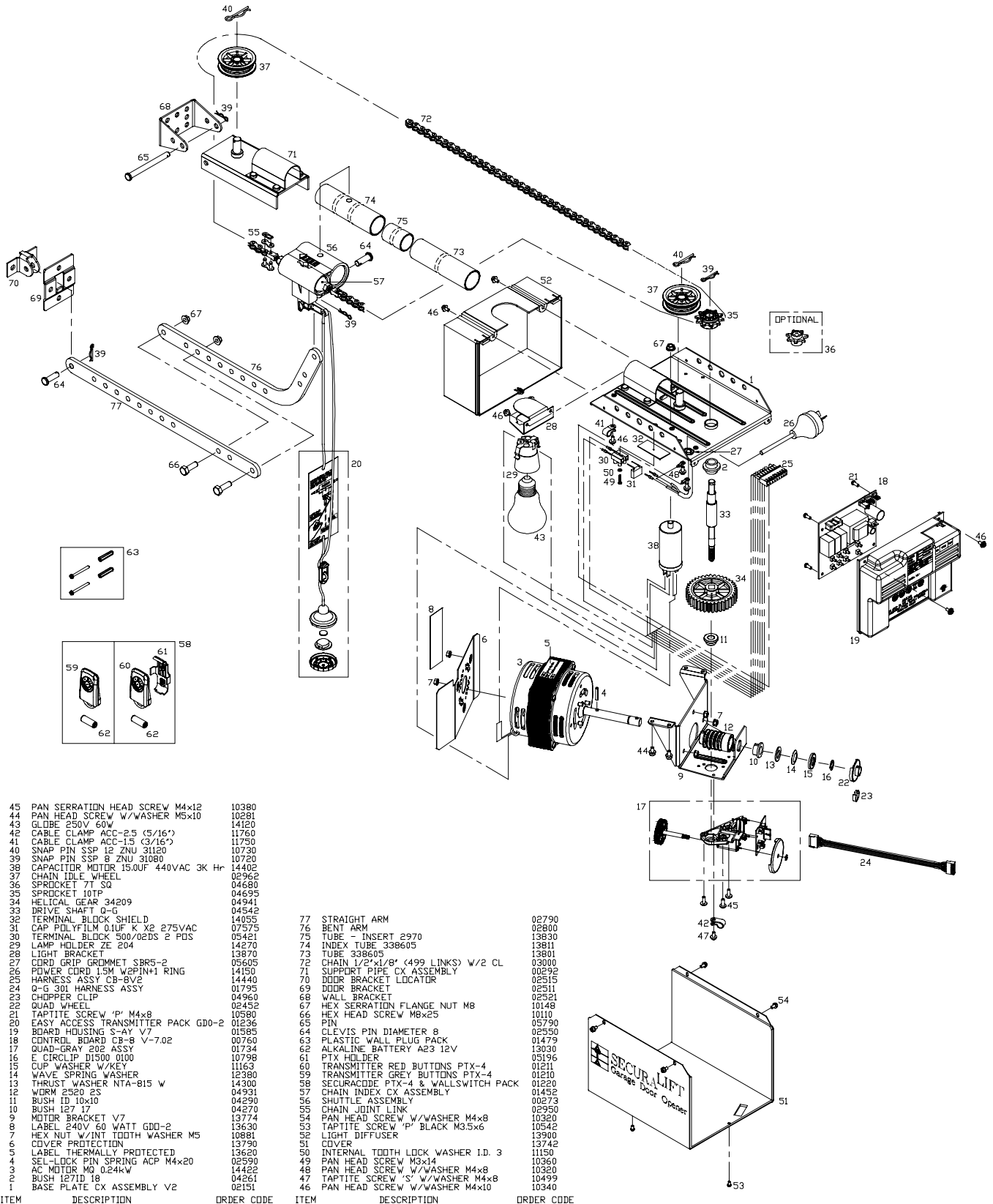
ITEM	DESCRIPTION	ORDER CODE	ITEM	DESCRIPTION	ORDER CODE
42A	CAP POLYFILM 0.1UF K X2 275VAC	07575	76	SECURACODE PTX-4 & W/S PACK	01220
42	TERMINAL BLOCK 500/02DS 2 POS	05421	75	ALKALINE BATTERY A23 12V	13030
41	INT. TOTH LOCK WASHER 1/D 3	11150	74	PLASTIC WALL PLUG PACK	01479
40	PAN HD. SCREW M3x14	10360	73	PTX HOLDER	05196
39	HARNES ASSY CB-8 V2	14440	72	TRANSMITTER GB PTX-4	01210
38A	CORD GRIP GROMMET SB-6R-3-K	05600	71	TRANSMITTER RB PTX-4	01211
38	POWER CORD 1.5M W/EPIN + 1 RING	14150	70	CABLE CLAMP ACC - 1.5 (3/16")	11750
37	BOARD HOUSING S-AY V6	01583	69	DOOR BRACKET LOCATOR	02515
36	PAN HD. SCREW W/WASHER M4x10	10340	68	DOOR BRACKET	02511
35	CONTROL BOARD CB-8 V-6.01	00775	67	HEX. HD. SCREW M8x25	10110
33	TAPTITE SCREW "P" M4x8	10580	66	STRAIGHT ARM	02790
31	LIMITS CONTROL ASSY	00252	65	BENT ARM	02800
30	ADJUSTMENT SCREW	13851	64	CLEVIS PIN Ø8	02550
29	LIMITS HDUSING	13881	63	SHUTTLE ASSY	00272
28	LIMITS NUT	14001	62	CHAIN INDEX CX ASSY	01452
27	HOLDER SWITCH CX - RIGHT (U)	13887	61	CHAIN JOINT LINK	02950
26	HOLDER SWITCH CX - LEFT (D)	13884	60	PIN	05790
25	MINIATURE MIC. SWITCH AV 3844619	09280	59	WALL BRACKET	02521
24	MICROSWITC CX HARNES	14280	58	SNAP PIN SSP 8 ZNU 31080	10720
23	CHOPPER CLIP	04960	57	CHAIN 1/2"x1/8" (499 LINKS) W/2CL	03000
22	CHOPPER WHEEL	04950	56	SUPPORT PIPE CX ASSY	00292
21	E CIRCLIP NIS40 0050	10799	55	INDEX TUBE - 338605	13811
20	CUV WASHER W/ KEY A	11164	54	TUBE - INSERT 2970	13801
19	WAVE SPRING WASHER	12380	53	TUBE - 338605	14402
18	THRUST WASHER NTA B15	14300	52	LIGHT DIFFUSER	14120
17	BUSH 12717	04270	51	CAPACITOR MOTOR 15.0 UF 440VAC 3K Hr	14270
16	WDRM 2520 2S	04931	50	GLOBE 250V 60 WATT	13870
15	PAN HD. SCREW W/WASHER M5x10	10281	49	LAMP HOLDER ZE 204	10730
14	SEL - LDK SPRING PIN ACP M4x20	02590	48	LIGHT BRACKET	04680
13	LABEL - THERMALLY PROTECTED	13620	47	SNAP PIN SSP 12 ZNU 31120	04695
12	HEX NUT W/INT TOTH WASHER M5	10881	46	SPROCKET 71 S2	10148
11	LABEL 240V 60 WATT GD0-2	13790	45	TERMINAL BLOCK SHIELD	14055
10	PROTECTION COVER	14422			
9	MOTOR AC. M0 0.24 KW	13772			
8	MOTOR BRACKET	04290			
7	BUSH ID 10x10	04941			
6	HELICAL SPRING 34209	04542			
5	DRIVE SHAFT 16127	04261			
4	BUSH 127 ID 18	10542			
3	TAPTITE SCREW "P" BLACK M3.5x6	10498			
2A	TAPTITE SCREW "S" W/WASHER M4x8	10499			
2	TAPTITE SCREW "S" M4x10	10498			
1	COVER SCREW V4	01597			





GDO-2v7 SecuraLift®

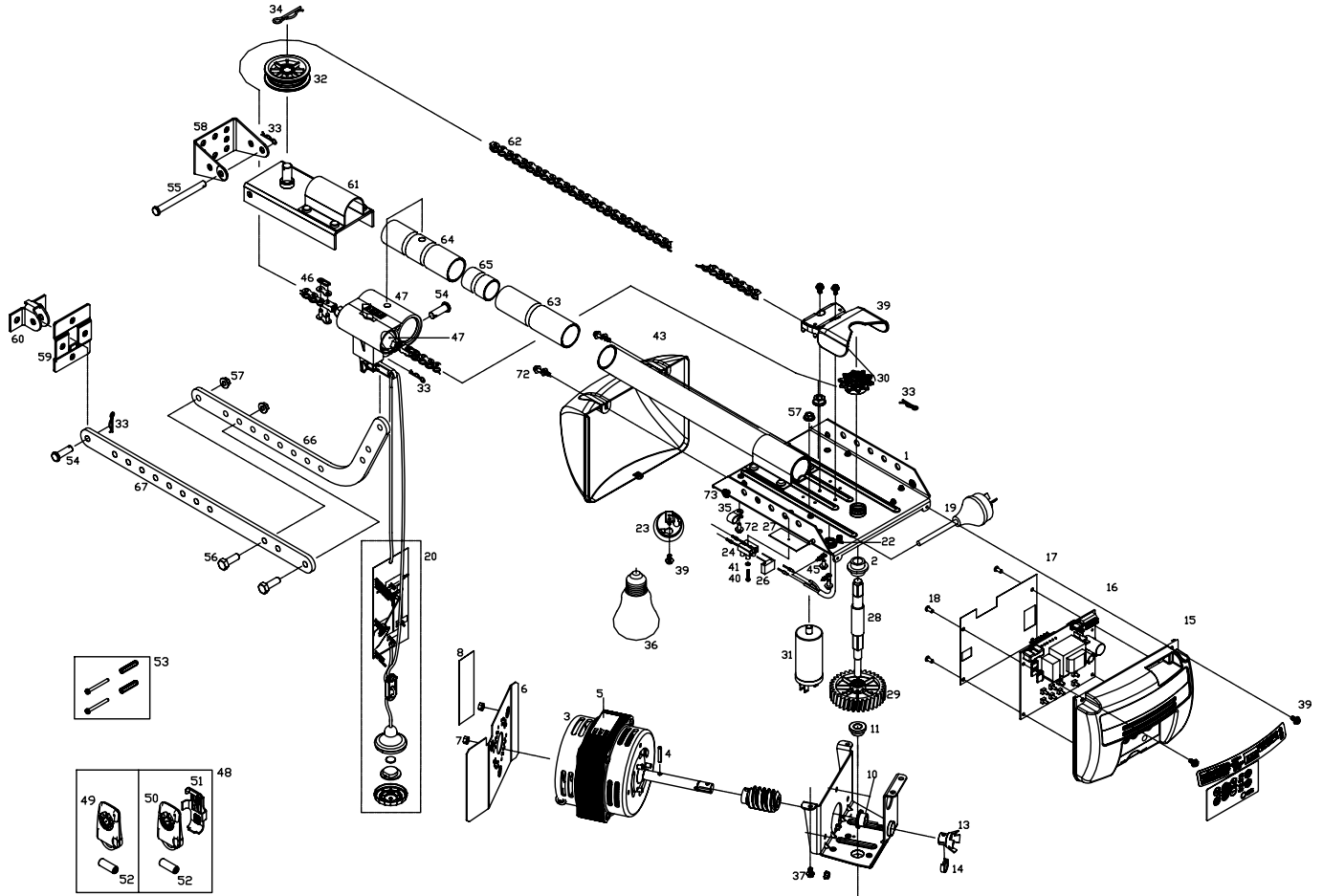
AC Overhead Garage Door Opener (ALPS)





GDO-7v1 SecuraLift®

AC Overhead Garage Door Opener (S-ALPS)



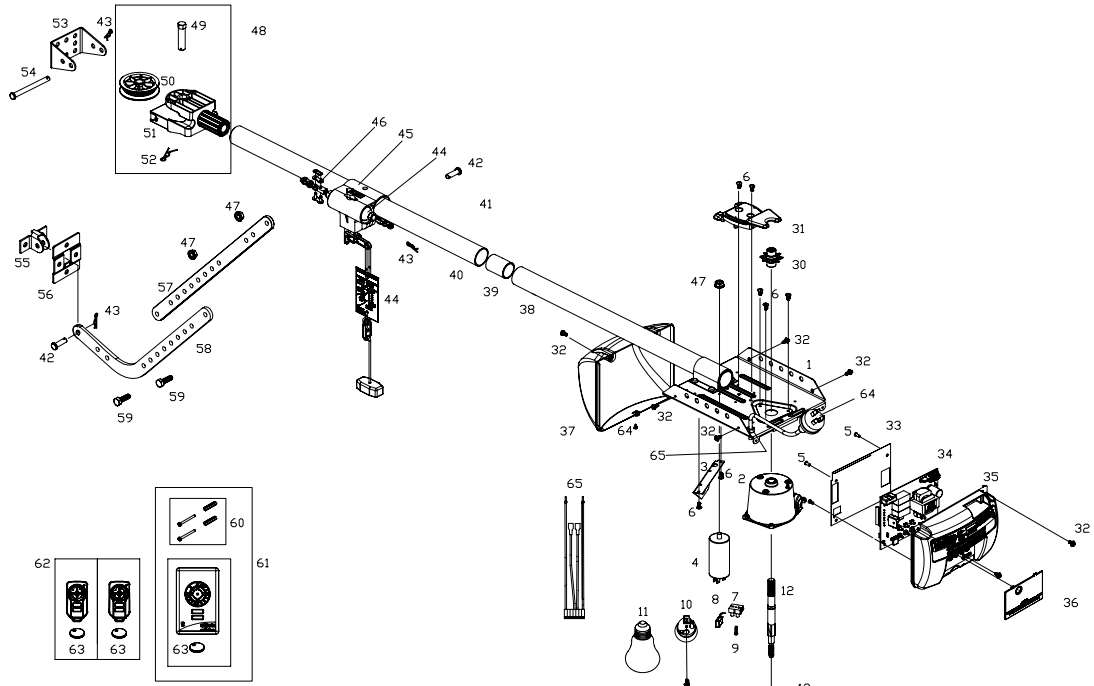
ITEM	DESCRIPTION	ORDER CODE	ITEM	DESCRIPTION	ORDER CODE
45	PAN HEAD SCREW W/WASHER M4X8	10320	74	GROMMET 5.2x8.0x4.5	05604
44	TAPTITE SCREW 'P' BLACK M3.5X6	10542	73	SHOULDER SCREW 5-M4x9L	10601
43	LIGHT DIFFUSER	13902	72	PAN HEAD SCREW W/WASHER M4X10	10340
42	COVER ASSY GDO-7	01939	71	TAPTITE SCREW 'P' M3X12	10553
41	INTERNAL TOOTH LOCK WASHER I.D. 3	11150	69	SENSOR ASSEMBLY GDO-7	01689
40	PAN HEAD SCREW M3X14	10360	68	RATCHET TIMING ASSEMBLY	01737
39	PAN HEAD SCREW W/WASHER M4X10	10340	67	STRAIGHT ARM	02790
38	PAN SERRATION HEAD SCREW M4X12	10380	66	BENT ARM	02800
37	PAN HEAD SCREW W/WASHER M5X10	10281	65	TUBE-INSERT 2970	13830
36	GLOBE 250V 60W	14120	64	INDEX TUBE 338605	13801
35	CABLE CLAMP ACC-15 (3/16")	11750	63	TUBE 338605	13801
34	SNAP PIN SSP 12 ZNU 31120	10730	62	CHAIN 1/2"x1/8"(499 LINKS) W/2 CL	03000
33	SNAP PIN SSP 9 ZNU 31080	10720	61	SUPPORT PIPE CX ASSEMBLY	00292
32	CHAIN IDLE WHEEL	02962	60	DOOR BRACKET LOCATOR	02515
31	CAP MOTOR 15.0uF 440 VAC 3k Hr	14402	59	DOOR BRACKET	02511
30	SPROCKET BT OCTAGONAL	04685	58	WALL BRACKET	02521
29	HELICAL GEAR 34209	04941	57	HEX SERRATION FLANGE NUT M8	10148
28	DRIVE SHAFT 0-C	04542	56	HEX HEAD SCREW M8X25	10110
27	TERMINAL BLOCK SHIELD	14056	55	PIN	05790
26	CAP POLYFILM 0.1uF K X2 275 VAC	07575	54	CLEVIS PIN DIAMETER 8	02550
25	HARNES ASSY CB-7 (NOT SHOWN)	14441	53	PLASTIC WALL PLUG PACK	01479
24	TERMINAL BLOCK 500/02DS 2 POS.	05421	52	ALKALINE BATTERY A23 12V	13030
23	LAMP HOLDER LS 204-1	05761	51	PTX HOLDER	05196
22	CORD GRIP GROMMET SBR5-2	05605	50	TRANSMITTER RED BUTTONS PTX-4	01211
21	TAPTITE SCREW 'P' M4x8	10580	49	TRANSMITTER GREY BUTTONS PTX-4	01210
20	EASY ACCESS TRANSMITTER PACK GDO-2	01236	48	SECURA PTX-4 & WALLSWITCH PACK	01220
19	POWER CORD 1.5M V2PIN+1 RING	14150	47	SHUTTLE ASSEMBLY	00273
18	TAPTITE SCREW 'P' M4X8	10580	46	CHAIN JOINT LINK	02950
17	BOARD SHIELD	14053			
16	CONTROL BOARD CB-18 V-1	01020			
15	BOARD HOUSING SUB ASSY	01586			
14	CHOPPER CLIP	04960			
13	CHOPPER WHEEL GDO-7	04951			
12	WORM #20 2S-ST	04932			
11	BUSH ID 10x10	04290			
10	BUSH ID 17-10	04271			
9	MOTOR BRACKET GDO-7	13776			
8	LABEL 240V 60 WATT GDO-2	13630			
7	HEX NUT W/INT TOOTH WASHER M5	10881			
6	COVER PROTECTION	13790			
5	LABEL THERMALLY PROTECTED	13620			
4	SEL-LOCK PIN SPRING ACP M4x20	02590			
3	AC MOTOR IT 0.24kW	14423			
2	BUSH ID 12x18	04651			
1	BASE PLATE SUB ASSEMBLY	XXXX			



GDO-7v2 SecuraLift®

AC Overhead Garage Door Opener (S-ALPS)

 ³ Featuring
TricoCode™
Technology



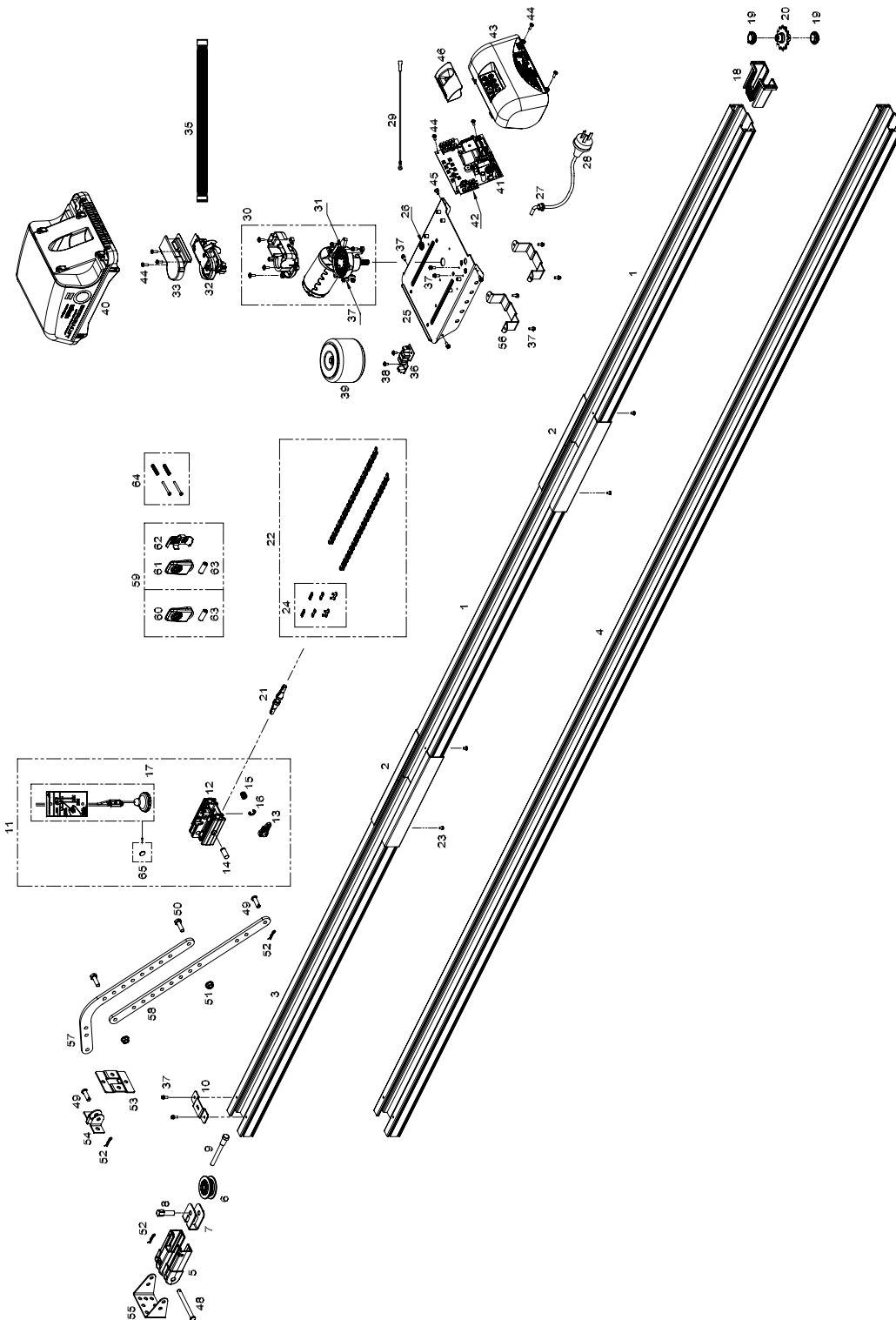
ITEM	DESCRIPTION	ORDER CODE
1	BASE AV2 SUB ASSY	02153
2	GEARBOX BASE ASSY	71666
3	RUBBER STOP BRACKET	02644
4	CAPACITOR 15uF	14402
5	TAPITTE SCREW PM4x8	10581
6	TAPITTE SCREW'S M4x10	10504
7	TERMINAL BLOCK 2 PLS.	05421
8	CAP.POLYETHYLENE 0.1uF	07575
9	PAN HD SCREW M3x14	10361
10	LAMP HOLDER LS-204-1	05761
11	GLOBE 240V 60W	14210
12	DRIVE SHAFT 12.7-156	04543
13	THRUST WASHER NIA-805	14300
14	WAVE SPRING WASHER	12380
15	E-COILIP NS40 0050	10799
16	HELICAL GEAR 34209	04941
17	GEARBOX LID ASSY	71668
18	AC MOTOR 250W FM-62409B	14411
19	HEX SPACER M5 8A/Fx10	11192
20	RUBBER STOP 20x10	02640
21	SEL-LOCK PIN SPRING ACP M4x20	02590
22	BALL BEARING R8Z2	03916
23	WORM 23006-25	72212
24	CHOPPER CLIP	04960
25	CHOPPER WHEEL	04951
26	RATCHET TIMING ASSY	01737
27	SENSOR ASSY SV1	01689
28	TAPITTE SCREW IP M3x8	10569
29	COVER SP AV2	01595
30	SPROCKET 8T SPL	72210
31	CHAIN SPREADER SV1	72435
32	FLANGE TAPITTE SCREW'S M4x10	10497
33	BOARD SHIELD ACB05	14052
34	CONTROL BOARD ACB05	00822
35	BOARD HOUSING S-AV AV2	01587
36	CONTROLS LID	05108
37	LIGHT DIFFUSER	13902
38	TUBE 338605	13801
39	TUBE INSERT 2970	13830
40	INDEX TUBE 38665	13811
41	CHAIN 1/2x8/499 LINKS	03000
42	CLEVIS PIN DIA 8	10550
43	SNAP PIN SSP 8 ZNU 31080	10720
44	CHAIN INDEX CX ASSY	01452
45	SHUTTLE ASSY	00272
46	CHAIN JOINT LINK	02950
47	HEX SERRATION FLANGE NUT M8	10148
48	PIPE ADAPTOR ASSY	00297
49	WHEEL AXLE	13845
50	CHAIN IDLE WHEEL	02962
51	PIPE ADAPTOR	00297
52	SNAP PIN SSP-12	10730
53	WALL BRACKET	02521
54	PIN	05790
55	DOOR BRACKET LOCATOR	02315
56	DOOR BRACKET	02315
57	STRAIGHT ARM	02800
58	BENT ARM	02950
59	HEX HEAD SCREW M8x25	10110
60	PLASTIC WALL PLUG PACK	014790
61	WALL TRANSMITTER WTX-4	01195
62	TRANSMITTER PTK-5	01170
63	LITHIUM BATTERY 3V CR203	13021
64	POWER CORD	05666
65	HARNES AV2	14142





GDO-9v1 SecuraLift®

DC Overhead Garage Door Opener (ALPS)



Item	Description	Order Code
1.	Extrusion 1050 VP1	04661
2.	Extrusion sleeve 280 VP1	04668
3.	Extrusion 1050 end VP1	04662
4.	Extrusion 3150 VP1	04662
5.	Tension support assy	04594
6.	Chain idler	02963
7.	Tension bracket	04590
8.	Hex shaft 10-40	03985
9.	Shoulder screw M8x65	10602
10.	Clamping bracket VP1	04591
11.	Shuttle VP1 assy	00274
12.	Shuttle VP1	02651
13.	Clutch lever VP1	16405
14.	Shaft 10-25	04521
15.	Compression spring 1-254	02876
16.	E circlip D1500 0080	10810
17.	Easy access transmitter VP1 pack	01234
18.	Pulley support	04597
19.	Flange bush 16-10	04313
20.	Sprocket 12T-12.7	04697
21.	Chain index V3	02941
22.	Chain 1/2" x 1/8" (487 links) W/2CL	03005
23.	Taptite screw 'S' black M4 x 6	10510
24.	Chain joint link	02950
25.	Metal chassis VP1 assy	02781
26.	Grommet 101422	05603
27.	Cord grip grommet SB5P-2	05606
28.	Power cord 1.5m W2P+1R	14150
29.	Wire earth assy 220L	12150
30.	Geared motor assy 14-V2	00385
31.	Helical gear 85075-12 CP assy	04002
32.	Timing assy	01732
33.	Dust cover top	03223
35.	Timing harness 350 assy	01792
36.	EMC filter board EMC 2.02	01443
37.	Flange taptite screw 'S' M4 x 10	10497
38.	Pan head screw w/washer M4 x 8	10320
39.	Transformer TDB-150-08 kit	02025
40.	Main cover VP1 SP assy	03216
41.	Control board CDP-15 V-1.10	00800
42.	LED light LL1-1.02	71215
43.	Light diffuser VP1 assy	05134
44.	Taptite screw 'P' M4 x 6	10569
45.	Shoulder screw 5-M4 x 6	10603
46.	Controls cover SP VP1	03215
48.	Pin	05790
49.	Clevis pin 0829	02551
50.	Hex head screw M8 x 25	10110
51.	Hex serration flange nut M8	10148
52.	Pin snap SSP 8 ZNU 31080	10720
53.	Door bracket	02511
54.	Door bracket locator	02515
55.	Wall bracket	02521
56.	Track bracket VP1	04592
57.	Bent arm	02800
58.	Straight arm	02790
59.	Securacode PTX-4 blue & pink pack	01222
60.	Transmitter grey buttons PTX-4	01210
61.	Transmitter PB PTX-4 pink	01214
62.	PTX holder	05196
63.	Alkaline battery A23 12V	13030
64.	Plastic wall plug pack	01479
65.	Lithium battery 3V	13020

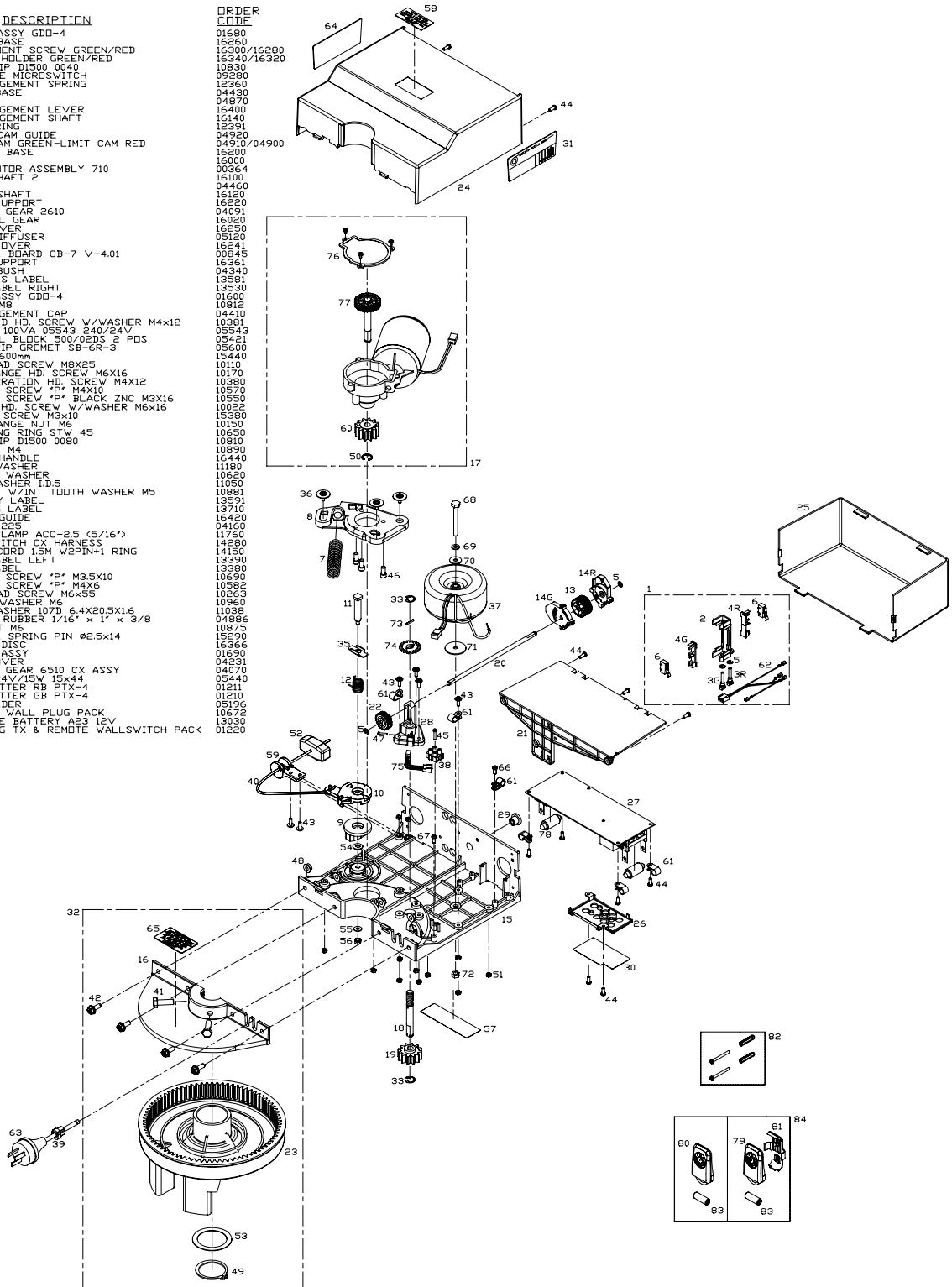




GDO-4v3 EasyRoller®

DC Roll Up Garage Door Opener (Microswitches)

ITEM NO.	DESCRIPTION	ORDER CODE
1	LIMITS ASSY GDO-4	01680
2	LIMITS BASE	16280
3	ADJUSTMENT SCREW GREEN/RED	16300/16280
4	SWITCH HOLDER GREEN/RED	16340/16320
5	E CIRCLIP D1500 0040	10830
6	MINATURE MICROSWITCH	09280
7	DISENGAGEMENT SPRING	12360
8	MOTOR BASE	04430
9	CAM	04870
10	DISENGAGEMENT LEVER	16400
11	DISENGAGEMENT SHAFT	16140
12	CAM SPRING	12391
13	LIMITS CAM GUIDE	04920
14	LIMIT CAM GREEN-LIMIT CAM RED	04510/04900
15	PLASTIC BASE	16200
16	CLAMP	16000
17	GEAR MOTOR ASSEMBLY 710	00364
18	WORM SHAFT 2	16100
19	GEAR 1	04460
20	LIMITS SHAFT	16120
21	BOARD SUPPORT	16280
22	HELICAL GEAR 2610	04091
23	INTERNAL GEAR	16020
24	MAIN COVER	16250
25	LIGHT DIFFUSER	05120
26	BOARD COVER	16241
27	CONTROL BOARD CB-7 V-4.01	00845
28	WORM SUPPORT	16361
29	LIMITS BUSH	04940
30	CONTROLS LABEL	13581
31	LOGO LABEL RIGHT	13530
32	CLAMP ASSY GDO-4	01660
33	E RING M8	10812
34	DISENGAGEMENT CAP	04440
35	SERRATED HD. SCREW W/WASHER M4x12	10581
36	TRANSF. 100VA 05543 240/24V	05543
37	TERMINAL BLOCK 500/02DS 2 PDS	05421
38	CORD GRIP GRIMET SB-6R-3	05600
39	STRING 600mm	15440
40	HEX. HEAD SCREW M8x25	10110
41	HEX FLANGE HD. SCREW M6x16	10170
42	PAN SERRATION HD. SCREW M4x12	10390
43	TAPTITE SCREW *P* M4x10	10570
44	TAPTITE SCREW *P* BLACK ZNC M3x16	10550
45	BUTTON HD. SCREW W/WASHER M6x16	10092
46	PAN HD. SCREW M3x10	15380
47	HEX. FLANGE NUT M6	10150
48	RETAINING RING STV 45	10650
49	E CIRCLIP D1500 0080	10810
50	HEX NUT M4	10890
51	STRING HANDLE	16440
52	CLAMP WASHER	11180
53	SPECIAL WASHER	10620
54	FLAT WASHER I.D.5	10590
55	HEX NUT W/INT TDOOTH WASHER M5	10881
56	IDENTITY LABEL	13591
57	WARNING LABEL	13710
58	STRING GUIDE	16420
59	FININD 1225	04160
60	CABLE CLAMP ACC-2.5 (5/16")	11760
61	MICROSWITCH CX HARNESS	14280
62	POWER CORD 1.5M W/2PIN+1 RING	14150
63	LOGO LABEL LEFT	13390
64	CORD LABEL	13380
65	TAPTITE SCREW *P* M3.5x10	10690
66	TAPTITE SCREW *P* M4x6	10582
67	HEX. HEAD SCREW M6x55	10263
68	SPRING WASHER M6	10960
69	FLAT WASHER 107D 6.4x20.5x1.6	11038
70	WASHER RUBBER 1/16" x 1" x 3/8	04986
71	HEX. NUT M6	10875
72	SEL-LOK SPRING PIN Ø2.5x14	15290
73	SENSOR DISC	16366
74	SENSOR ASSY	01690
75	GEAR COVER	04891
76	HELICAL GEAR 6510 CX ASSY	04070
77	GLUBE 24V/15W 15x44	05440
78	TRANSMITTER RB PTX-4	01211
79	TRANSMITTER GB PTX-4	01210
80	PTX HOLDER	05196
81	PLASTIC WALL PLUG PACK	10672
82	ALKALINE BATTERY A23 12V	13030
83	KEY RING TX & REMOTE WALLSWITCH PACK	01220

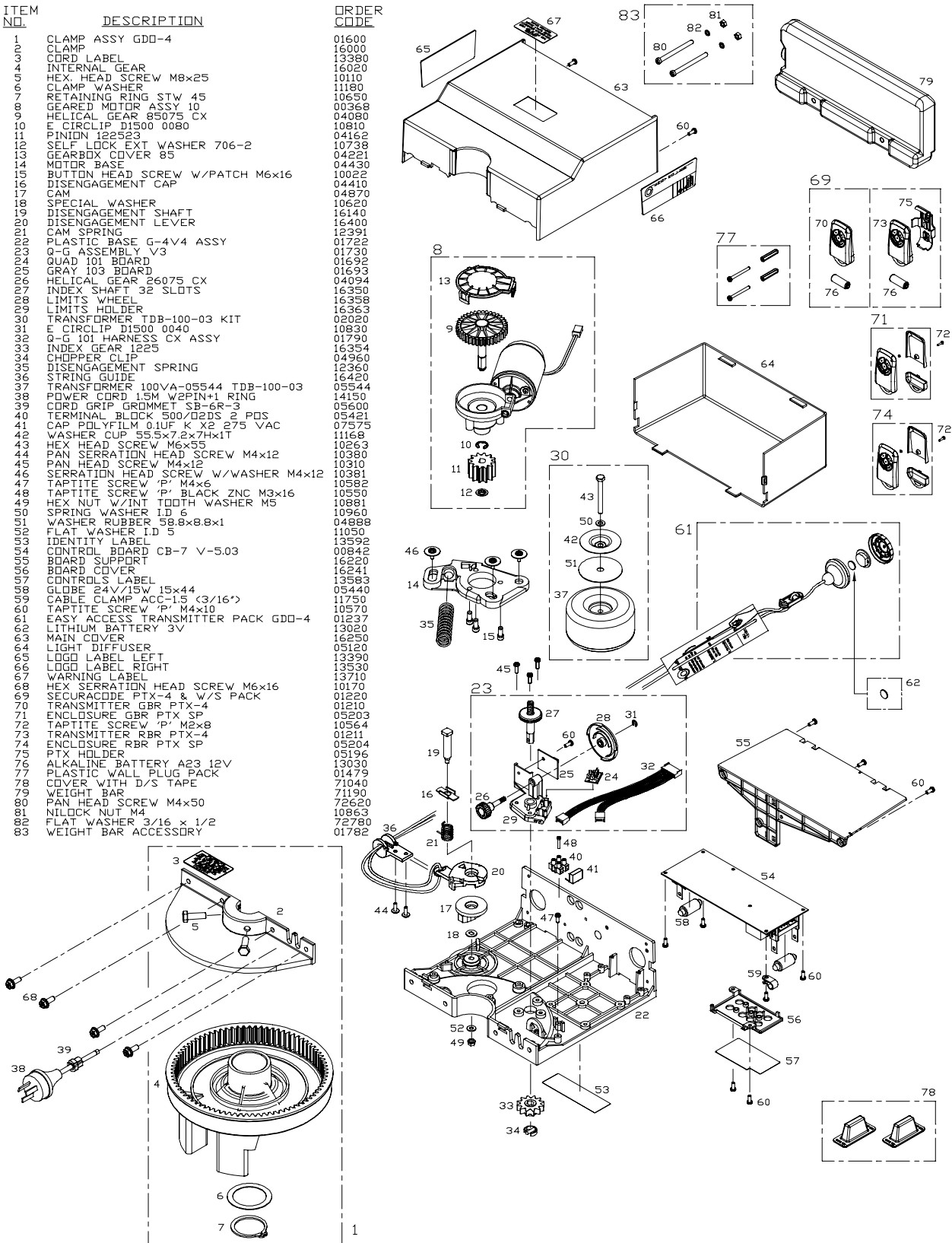




GDO-4v4 EasyRoller®

DC Roll Up Garage Door Opener (ALPS)

ITEM NO.	DESCRIPTION	ORDER CODE
1	CLAMP ASSY GDO-4	01600
2	CLAMP	16000
3	CORD LABEL	13380
4	INTERNAL GEAR	16020
5	HEX HEAD SCREW M8x25	10110
6	CLAMP WASHER	11180
7	RETAINING RING STW 45	10650
8	GEARED MOTOR ASSY 10	00368
9	HELICAL GEAR 85075 CX	04080
10	E CIRCLIP D1500 0080	10810
11	PINION 122523	04162
12	SELF LOCK EXT WASHER 706-2	10738
13	GEARBOX COVER 85	04430
14	MOTOR BASE	04430
15	BUTTON HEAD SCREW W/PATCH M6x16	10022
16	DISENGAGEMENT CAP	04410
17	CAM	04870
18	SPECIAL WASHER	10620
19	DISENGAGEMENT SHAFT	16140
20	DISENGAGEMENT LEVER	16400
21	CAM SPRING	12391
22	PLASTIC BASE G-4V4 ASSY	01722
23	G-G ASSEMBLY V3	01730
24	QUAD 101 BOARD	01692
25	GRAY 103 BOARD	01693
26	HELICAL GEAR 26075 CX	04094
27	INDEX SHAFT 32 SLOTS	16350
28	LIMITS WHEEL	16358
29	LIMITS HOLDER	16363
30	TRANSFORMER TDB-100-03 KIT	02020
31	E CIRCLIP D1500 0040	10830
32	G-G 101 HARNESS CX ASSY	01790
33	INDEX GEAR 1225	16354
34	CHOPPER CLIP	04960
35	DISENGAGEMENT SPRING	12360
36	STRING GUIDE	16420
37	TRANSFORMER 100VA-05544 TDB-100-03	05544
38	POWER CORD 1.5M W2PIN+1 RING	14150
39	CORD GRIP GROMMET SB-6R-3	05600
40	TERMINAL BLOCK 500/D2DS 2 POS	05421
41	CAP POLYFILM 01UF K X2 275 VAC	07575
42	WASHER CLIP 55.5x7.2x7Hx1T	11620
43	HEX HEAD SCREW M6x55	10263
44	PAN SERRATION HEAD SCREW M4x12	10380
45	PAN HEAD SCREW M4x12	10310
46	SERRATION HEAD SCREW W/WASHER M4x12	10381
47	TAPTITE SCREW P M4x6	10582
48	TAPTITE SCREW P BLACK ZNC M3x16	10550
49	HEX NUT W/INT TOOTH WASHER M5	10881
50	SPRING WASHER I.D 6	10960
51	WASHER RUBBER 58.8x8.8x1	04888
52	FLAT WASHER I.D 5	11050
53	IDENTITY LABEL	13592
54	CONTROL BOARD CB-7 V-5.03	00842
55	BOARD SUPPORT	16220
56	BOARD COVER	16241
57	CONTROLS LABEL	13583
58	GLDBE 24V/15W 15x44	05440
59	CABLE CLAMP ACC-1.5 (3/16")	11750
60	TAPTITE SCREW P M4x10	10570
61	EASY ACCESS TRANSMITTER PACK GDO-4	05237
62	LITHIUM BATTERY 3V	13020
63	MAIN COVER	16250
64	LIGHT DIFFUSER	05120
65	LOGO LABEL LEFT	13390
66	LOGO LABEL RIGHT	13330
67	WARNING LABEL	13710
68	HEX SERRATION HEAD SCREW M6x16	10170
69	SECURACODE PTX-4 & W/S PACK	01220
70	TRANSMITTER GBR PTX-4	01210
71	ENCLOSURE GBR PTX 3P	05203
72	TAPTITE SCREW P M2x8	10564
73	TRANSMITTER RBR PTX-4	01211
74	ENCLOSURE RBR PTX 3P	05204
75	PTX HOLDER	05196
76	ALKALINE BATTERY A23 12V	13030
77	PLASTIC WALL PLUG PACK	01479
78	COVER WITH D/S TAPE	71040
79	WEIGHT BAR	71190
80	PAN HEAD SCREW M4x50	72620
81	NILOCK NUT M4	10863
82	FLAT WASHER 3/16 x 1/2	72780
83	WEIGHT BAR ACCESSORY	01782

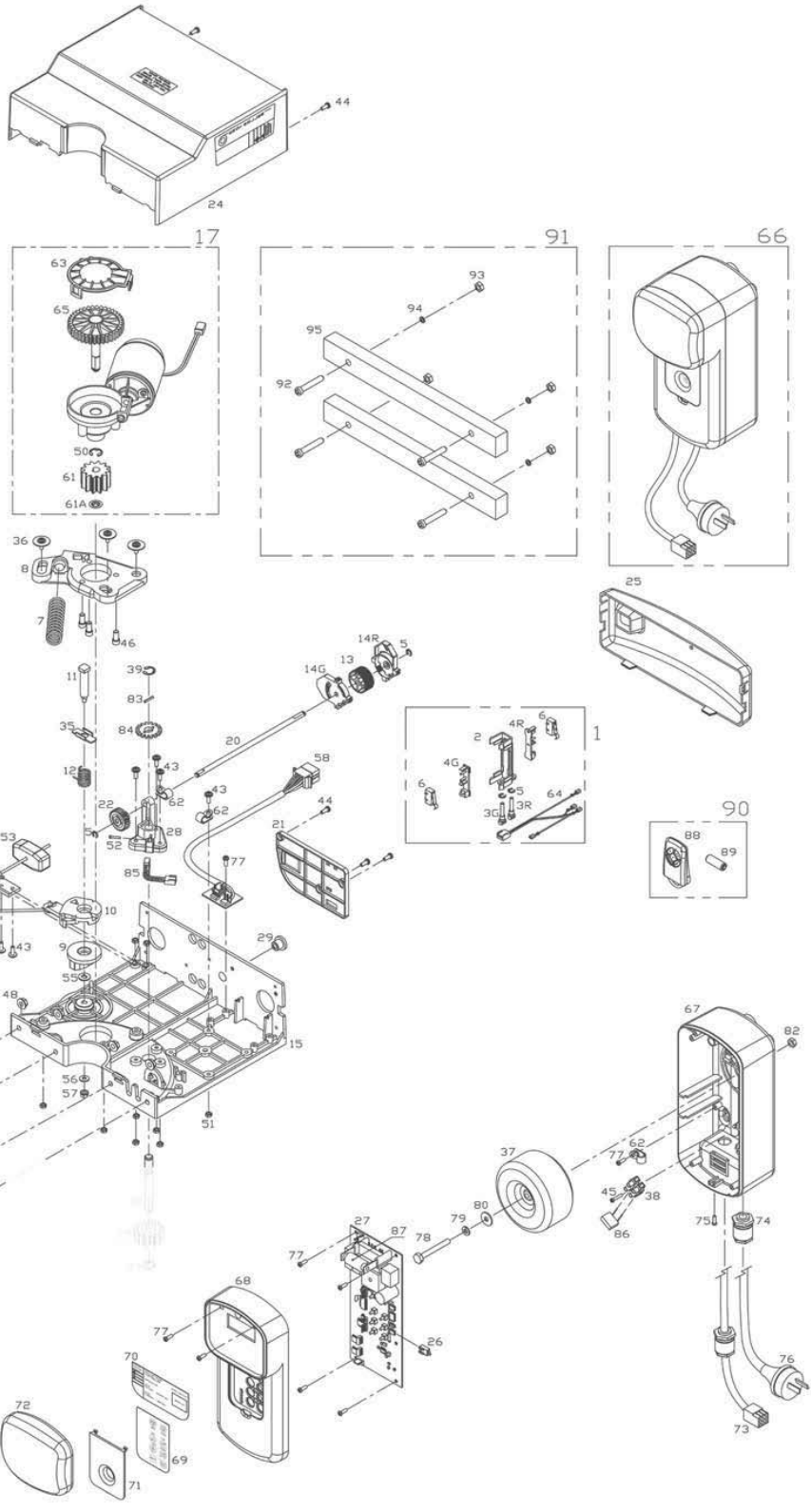




GDO-5 AussieRoller®

DC Roll Up Garage Door Opener (Microswitches)

ITEM NO.	DESCRIPTION	ORDER CODE
1	LIMITS ASSY GDO-4	01680
1	LIMITS BASE	16260
2	ADJUSTMENT SCREW GREEN / RED	16300/16280
3	HOLDER SWITCH GREEN / RED	16340/16320
4	E CIRCLIP D1500 0040	10830
5	MINIATURE MICROSWITCH 3844619	09280
6	DISENGAGEMENT SPRING	16260
7	MOTOR BASE	04430
8	CAM	04870
9	DISENGAGEMENT LEVER	16400
10	DISENGAGEMENT SHAFT	16140
11	CAM SPRING	12391
12	LIMITS CAM GUIDE	04920
13	LIMIT CAM GREEN-LIMIT CAM RED	04910/04900
14	PLASTIC BASE	16000
15	CLAMP	16000
16	GEAR MOTOR ASSEMBLY 10	00368
17	WORM SHAFT 2	16100
18	GEAR 1	04460
19	LIMITS SHAFT	16120
20	LIMITS BASE	16264
21	HELICAL GEAR 2610	04091
22	INTERNAL GEAR	16020
23	MAIN COVER ASSY	16261
24	LIMITS COVER	16268
25	PIE SHUNT ASSY	01810
26	CONTROL BOARD CB-7 V-4.01 GDO-5	00847
27	WORM SUPPORT	16361
28	LIMITS BUSH	04340
29	CLAMP ASSY GDO-4	01600
30	WP SEAL	19992
31	DISENGAGEMENT CAP	04410
32	SERRATION HD. SCREW W/WASHER M4x12	10381
33	TRANSF. 100VA 05543 240/24V	05543
34	TERMINAL BLOCK 500/02DS 2 POS	05421
35	E RING M8	10812
36	STRING 600 mm	15440
37	HEX HEAD SCREW M8x25	10110
38	HEX FLANGE HD. SCREW M6x16	10170
39	PAN. FLANGE HD. SCREW M4x12	10380
40	TAPTITE SCREW *P* M4x10	10570
41	TAPTITE SCREW *P* BLACK ZNC M3x16	10550
42	BUTTON HD. SCREW W/PATCH M6x16	10022
43	CORD LABEL	13300
44	HEX FLANGE NUT M6	10150
45	RETAINING RING STV 45	10650
46	E CIRCLIP D1900 0080	10810
47	HEX NUT M4	10890
48	PAN. HEAD SCREW M3x10	15380
49	STRING HANDLE	16440
50	CLAMP WASHER	11180
51	SPECIAL WASHER	10620
52	FLAT WASHER 1.0 S	10550
53	HEX NUT W/INT TOOTH WASHER M5	10891
54	INTERFAC ASSY	01825
55	STRING GUIDE	16420
56	PINION 122923	04162
57	SEL LOCK EXT WASHER 706-2	10728
58	CABLE CLAMP ACC-2.5 (5/16")	11760
59	GEARBOX COVER B5	04221
60	MICROSWITCH CX HARNESS	14280
61	HELICAL GEAR B5075	04080
62	CONTROL BOX ASSY 240V A.S.	00633
63	BOTTOM ENCLOSURE CX	05330
64	TOP ENCLOSURE	05080
65	CONTROLS LABEL CBX	13585
66	IDENTITY LABEL AS	13601
67	BUTTONS LID	05140
68	LIGHT DIFFUSER CBX	05130
69	CONNECTING HARNESS CB-7 CX ASSY	01813
70	NYLON CABLE GLAND K16	05620
71	TAPTITE SCREW *P* M3.5x10	10690
72	POWER CORD AS 12M	05674
73	TAPTITE SCREW *P* M3.5x8	10540
74	HEX HD. SCREW M6x55	10164
75	SPRING WASHER 1.0 S	10960
76	FLAT WASHER 107D 6.4x20.5x1.6	11038
77	HEX NUT M6	10875
78	SEL-LDK SPRING PIN 2.5x14	15290
79	SENSOR DISC	16366
80	SENSOR ASSY	05740
81	CAPACITOR POLYFILM 0.1 uF x 2	07575
82	GLOBE 24V/15W 15x44	05740
83	TRANSMITTER GB PTX-4	01210
84	ALKALINE BATTERY A23 12V	13030
85	KEYRING TRANSMITTER GB PTX-4	01200
86	WEIGHT BAR ACCESSORY PACK GDO-4	01780
87	PAN. HD. SCREW (Zn OXIDE) M5x40	15721
88	HEX NUT (Zn OXIDE) M5	10893
89	SPRING WASHER (Zn OXIDE) 1.0 S	10971
90	WEIGHT BAR	04570

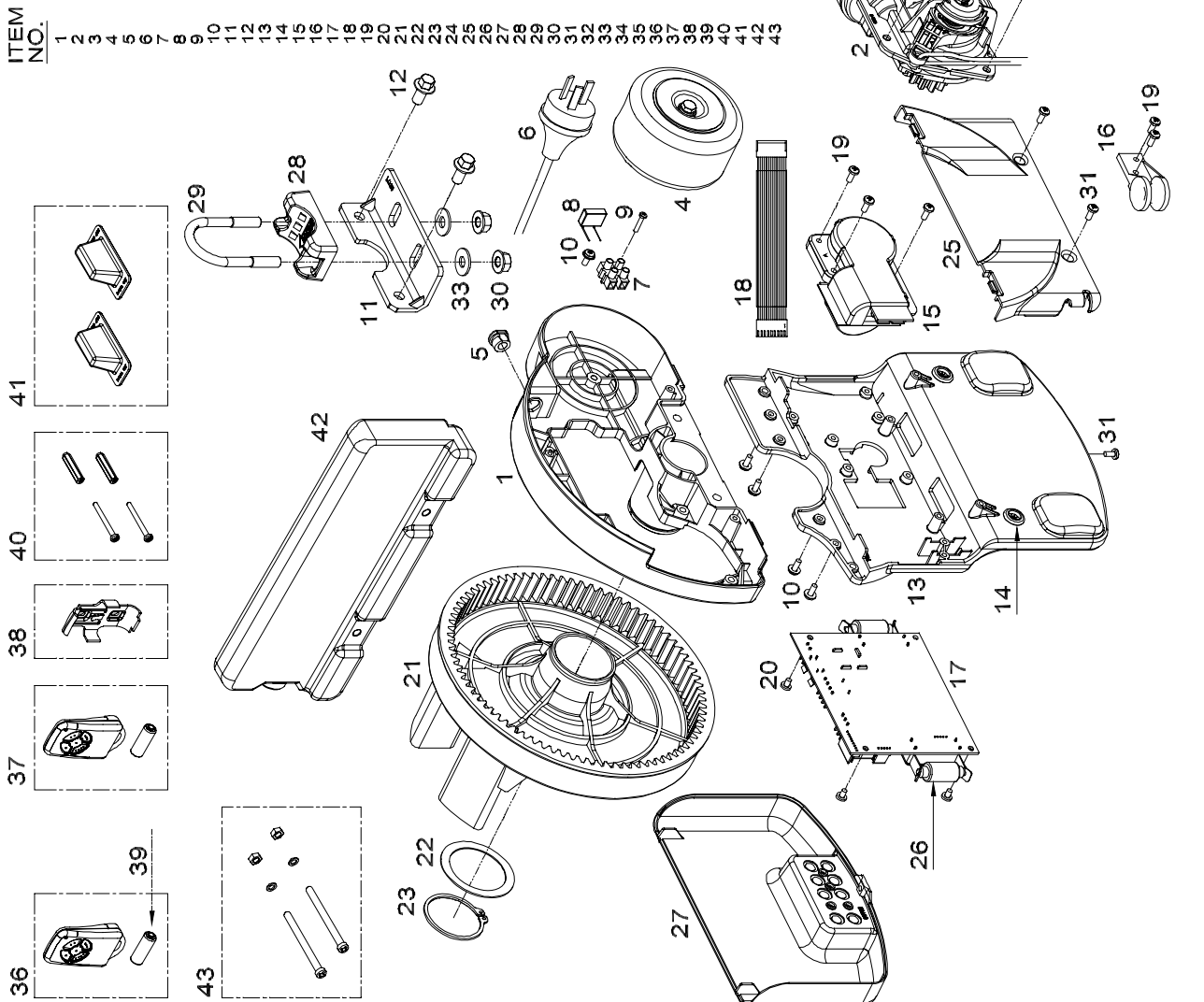




GDO-6v1 EasyRoller®

DC Roll Up Garage Door Opener (ALPS)

ITEM NO.	DESCRIPTION	ORDER CODE
1	DRIVE CHASSIS	03011
2	CLUTCH GEARBOX MOTOR ASSY 12	00372
3	HEX SERRATION HEAD SCREW M6x16	10170
4	TRANSFORMER TDB-100-03 KIT	02020
5	CORD GRIP GROMMET SBR5-2	05605
6	POWER CORD 1.5M W2P+1R GDO-2/4	14150
7	TERMINAL BLOCK 500/02DS 2 POS	05421
8	CAP POLYFILM 0.1UF K X2 275VAC	07575
9	PAN HEAD SCREW W/T.L WASHER M3x14	10361
10	PAN HEAD SCREW W/WASHER M4x10	10340
11	CLAMPING SADDLE BRACKET	03171
12	HEX SERRATION HEAD SCREW M8x16	10122
13	SUPPORT CHASSIS	16205
14	GROMMET 101422	05603
15	TIMING ASSY	01732
16	STRING GUIDE	16420
17	CONTROL BOARD CB-15 V-1.02	00971
18	TIMING HARNESS ASSY	01791
19	TAPTITE SCREW 'P' M4x10	10570
20	TAPTITE SCREW 'P' M4x6	10582
21	INTERNAL GEAR	16020
22	CLAMP WASHER	11180
23	RETAINING RING STW 45	10650
24	MAIN COVER ASSY	16256
25	TIMING COVER	03225
26	GLOBE 24V/15W 15x44	05440
27	LIGHT DIFFUSER ASSY	05110
28	INDUSTRIAL SADDLE	03175
29	U-BOLT M8	10141
30	HEX SERRATION FLANGE NUT M8	10148
31	TAPTITE SCREW 'P' M4x8	10560
32	PAN HEAD SCREW W/WASHER M4x8	10920
33	FLAT WASHER I.D 8	11020
34	EASY ACCESS TRANSMITTER PACK GDO-4	01237
35	LITHIUM BATTERY 3V	13020
36	TRANSMITTER GBR PTX-4 (GREY BUTTONS)	01210
37	TRANSMITTER RBR PTX-4 (RED BUTTONS)	01211
38	PTX HOLDER	05196
39	ALKALINE BATTERY A23 12V	13030
40	PLASTIC WALL PLUG PACK COVER WITH D/S TAPE	01479
41	WEIGHT BAR	71040
42	WEIGHT BAR ACCESSORY	71190
43		01782

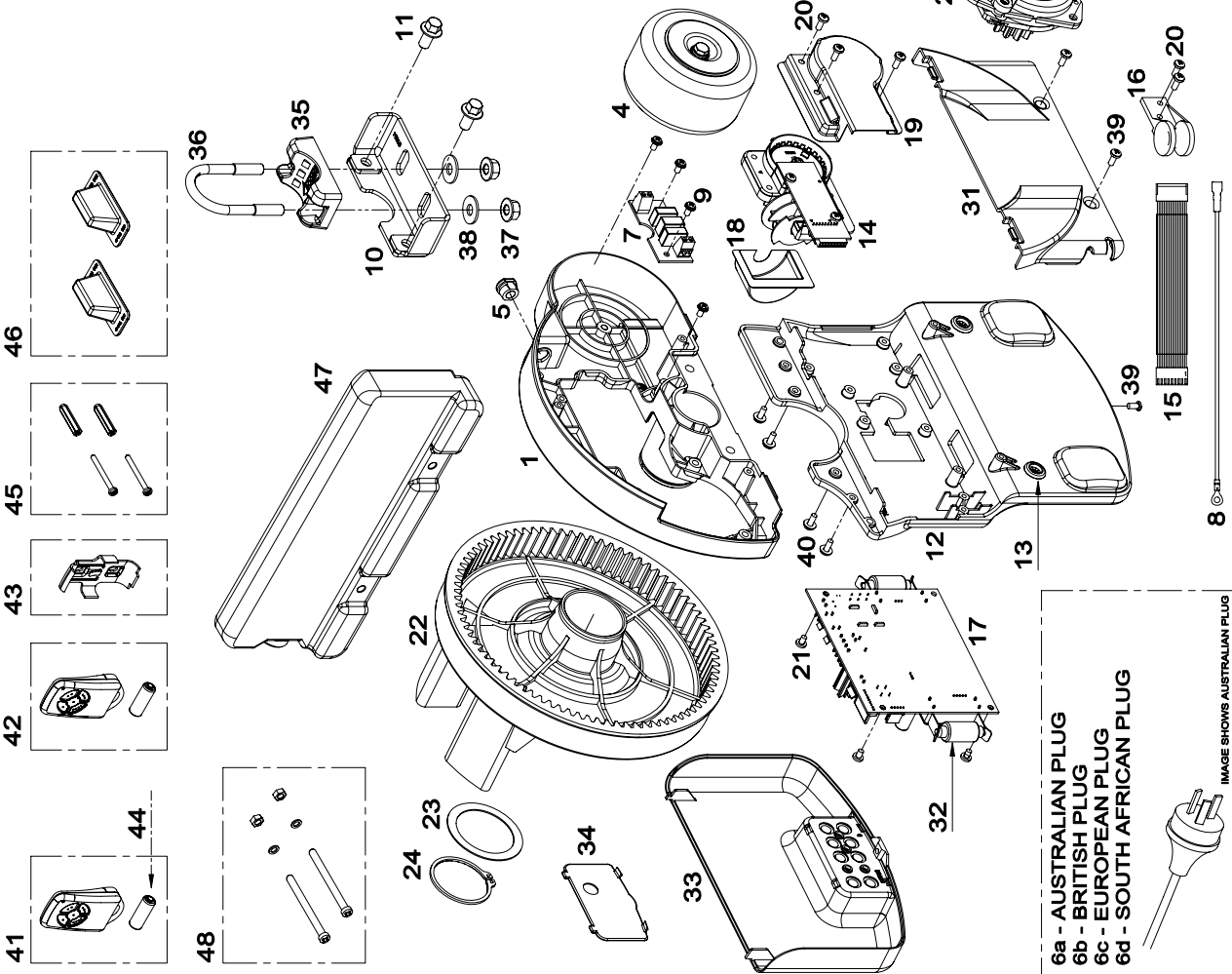




GDO-6v2 EasyRoller®

DC Roll Up Garage Door Opener (ALPS)

ITEM NO.	DESCRIPTION	ORDER CODE
1	DRIVE CHASSIS	03011
2	CLUTCH GEARED MOTOR ASSY 12-01	00373
3	HEX SERRATION HEAD SCREW M6x16	10170
4	TRANSFORMER TDB-100-143 KIT	02022
5	CORD GRIP GROMMET SB5P-2	05606
6a	POWER CORD A.S 1.5M W2P+1R	14150
6b	POWER CORD B.S 1.5M W2P+1R	05667
6c	POWER CORD E.U 1.5M W2P+1R	05679
6d	POWER CORD S.A 1.5M 15A W2P+1R	05673
7	EMC FILTER BOARD EMC-2.02	01443
8	WIRE EARTH ASSY 250L	12150
9	PAN HEAD SCREW W/WASHER M4x8	10320
10	MOUNTING BRACKET VR1	02504
11	HEX SERRATION HEAD SCREW M8x16	10122
12	SUPPORT CHASSIS	16205
13	GROMMET 101422	05603
14	TIMING ASSY	01732
15	TIMING HARNESS ASSY	01791
16	STRING GUIDE	16420
17	CONTROL BOARD CB-15	00978
18	DUST COVER BOTTOM	03222
19	DUST COVER TOP	03223
20	TAPTITE SCREW TP M4x10	10570
21	TAPTITE SCREW TP M4x6	10582
22	INTERNAL GEAR	16020
23	CLAMP WASHER	11180
24	RETAINING RING STW 45	10650
25	EASY ACCESS TRANSMITTER PACK	01238
26	LITHIUM BATTERY 3V	13020
27	STRING ADJUSTER	15441
28	STRING 1.2M	15995
29	LABEL RELEASE	13656
30	MAIN COVER ASSY	16256
31	TIMING COVER	03225
32	GLOBE 24V/15W	05440
33	LIGHT DIFFUSER ASSY V2	05111
34	CONTROL'S LID COVER	05103
35	INDUSTRIAL SADDLE	03175
36	U-BOLT M8	10141
37	HEX SERRATION FLANGE NUT M8 (BLACK)	10148
38	FLAT WASHER 8.4x18x1.6	11021
39	TAPTITE SCREW TP M4x8	10580
40	PAN HEAD SCREW W/WASHER M4x10	10340
41	TRANSMITTER GBR PTX-4 (GREY BUTTONS)	01210
42	TRANSMITTER RBR PTX-4 (RED BUTTONS)	01211
43	PTX HOLDER	05196
44	ALKALINE BATTERY A23 12V	13030
45	PLASTIC WALL PLUG PACK	01479
46	COVER WITH D/S TAPE	71040
47	WEIGHT BAR	71190
48	WEIGHT BAR ACCESSORY PACK	01782



6a - AUSTRALIAN PLUG
 6b - BRITISH PLUG
 6c - EUROPEAN PLUG
 6d - SOUTH AFRICAN PLUG

IMAGE SHOWS AUSTRALIAN PLUG



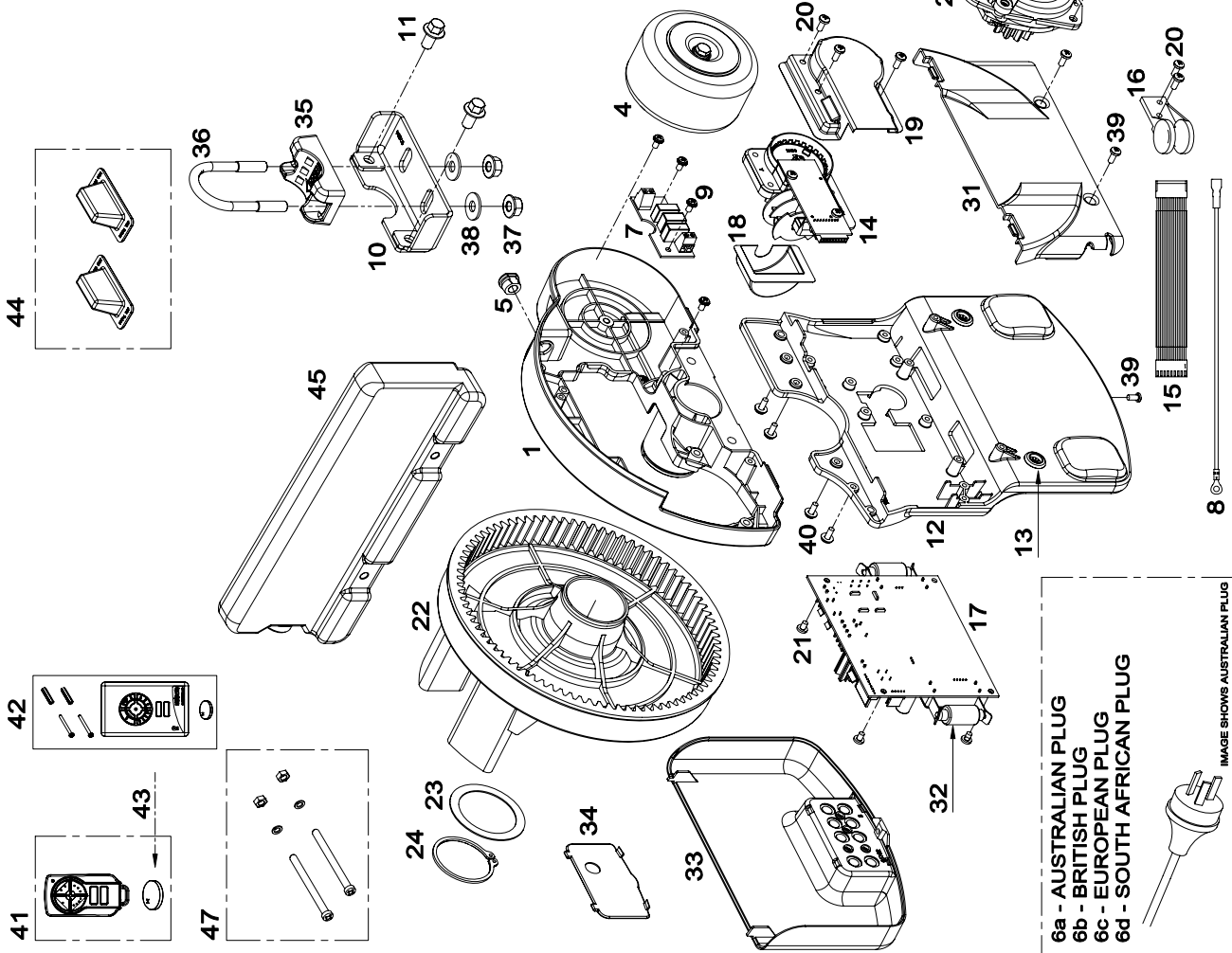


GDO-6v3 EasyRoller®

DC Roll Up Garage Door Opener (ALPS)



ITEM NO.	DESCRIPTION	ORDER CODE
1	DRIVE CHASSIS	03011
2	CLUTCH GEARED MOTOR ASSY 12-01	00373
3	HEX SERRATION HEAD SCREW M6x16	10170
4	TRANSFORMER TDB-100-143 KIT	02022
5	CORD GRIP GROMMET SB5P-2	05606
6a	POWER CORD A.S 1.5M W2P++1R	14150
6b	POWER CORD B.S 1.5M W2P++1R	05667
6c	POWER CORD E.U 1.5M W2P++1R	05679
6d	POWER CORD S.A 1.5M 15A W2P++1R	05673
7	EMC FILTER BOARD EMC-2.02	01443
8	WIRE EARTH ASSY 250L	12150
9	PAN HEAD SCREW W/WASHER M4x8	10320
10	MOUNTING BRACKET VR1	02504
11	HEX SERRATION HEAD SCREW M8x16	10122
12	SUPPORT CHASSIS	16205
13	GROMMET 101422	05603
14	TIMING ASSY	01732
15	TIMING HARNESS ASSY	01791
16	STRING GUIDE	16420
17	CONTROL BOARD DCB03	08902
18	DUST COVER BOTTOM	03222
19	DUST COVER TOP	03223
20	TAPTITE SCREW P1 M4x10	10570
21	TAPTITE SCREW P1 M4x6	10582
22	INTERNAL GEAR	16020
23	CLAMP WASHER	11180
24	RETAINING RING STW 45	10650
25	EASY ACCESS TRANSMITTER PACK TRIOCODE	13020
26	LITHIUM BATTERY 3V	15441
27	STRING 1.2M	15995
28	STRING ADJUSTER	13656
29	LABEL RELEASE	16256
30	MAIN COVER ASSY	03225
31	TIMING COVER	05440
32	GLOBE 24V/15W	05111
33	LIGHT DIFFUSER ASSY V2	05103
34	CONTROLS LID COVER	03175
35	INDUSTRIAL SADDLE	10141
36	J-BOLT M8	10148
37	HEX SERRATION FLANGE NUT M8 (BLACK)	10148
38	FLAT WASHER 8.4x18x1.6	11021
39	TAPTITE SCREW P1 M4x8	10580
40	PAN HEAD SCREW W/WASHER M4x10	10340
41	TRANSMITTER PTX-5	01170
42	WALL TRANSMITTER VTX-4	01195
43	LITHIUM BATTERY 3V CR203	13021
44	COVER WITH DIS TAPE	71040
45	WEIGHT BAR	71190
46	WEIGHT BAR ACCESSORY PACK	01782
47		



6a - AUSTRALIAN PLUG
 6b - BRITISH PLUG
 6c - EUROPEAN PLUG
 6d - SOUTH AFRICAN PLUG

IMAGE SHOWS AUSTRALIAN PLUG

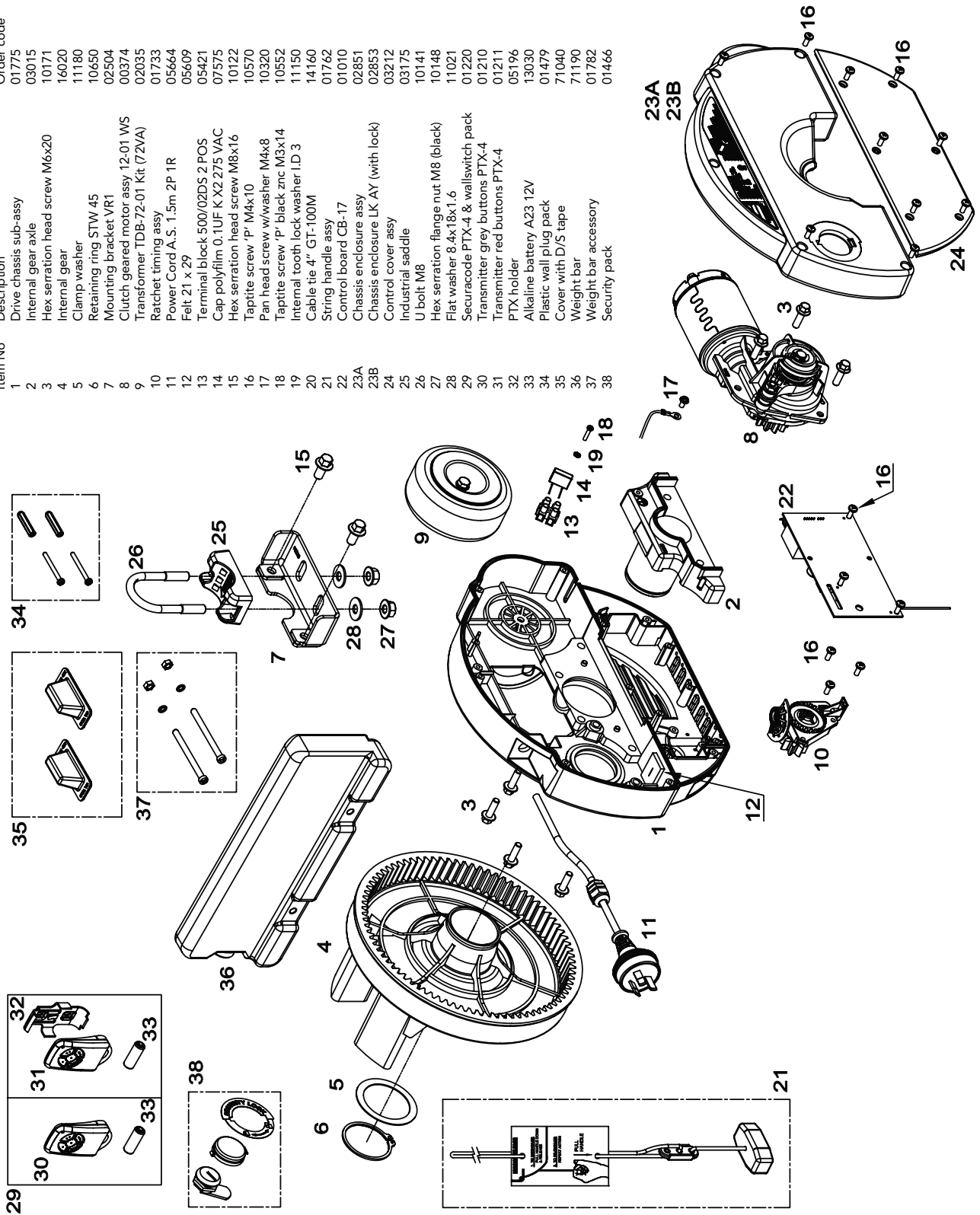




GDO-8v1 EasyRoller®

Weather Resistant DC Roll Up Garage Door Opener (S-ALPS)

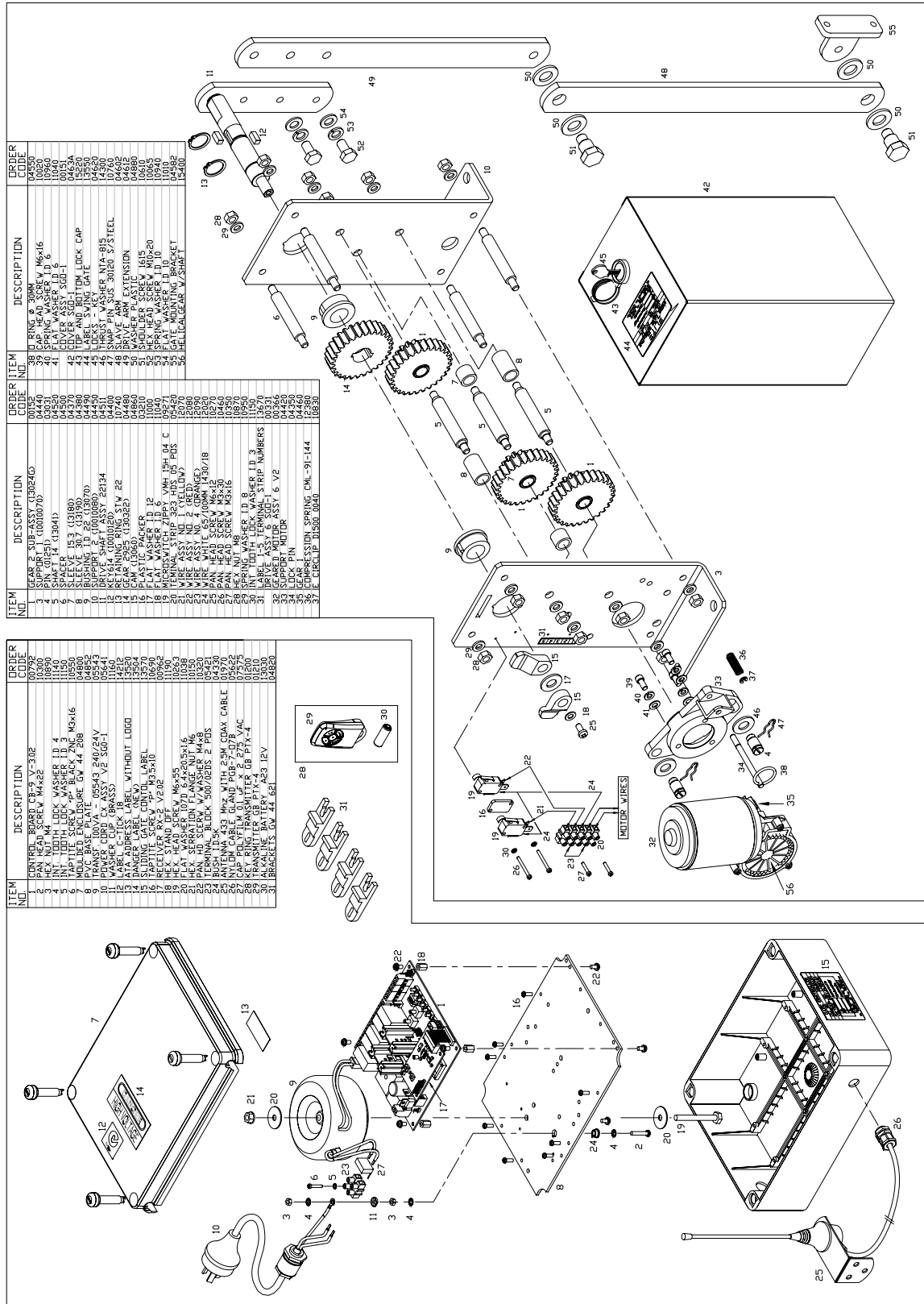
Item No	Description	Order code
1	Drive chassis sub-assy	01775
2	Internal gear axle	03015
3	Hex serration head screw M6x20	10171
4	Internal gear	16020
5	Clamp washer	11180
6	Retaining ring STW 45	10650
7	Mounting bracket VR1	02504
8	Clutch geared motor assy 12-01 WS	00374
9	Transformer TDB-72-01 Kit (72VA)	02035
10	Ratchet timing assy	01733
11	Power Cord A.S. 1.5m 2P 1R	05664
12	Felt 21 x 29	05609
13	Terminal block 500/02DS 2 POS	05421
14	Cap polyfilm 0.1UF K X2 275 VAC	07575
15	Hex serration head screw M8x16	10122
16	Tapitite screw 'P' M4x10	10570
17	Pan head screw w/washer M4x8	10320
18	Tapitite screw 'P' black zinc M3x14	10552
19	Internal tooth lock washer I.D 3	11150
20	Cable tie 4" GT-100M	14160
21	String handle assy	01762
22	Control board CB-17	01010
23A	Chassis enclosure assy	02851
23B	Chassis enclosure LK AY (with lock)	02853
24	Control cover assy	03212
25	Industrial saddle	03175
26	U bolt M8	10141
27	Hex serration flange nut M8 (black)	10148
28	Flat washer 8.4x18x1.6	11021
29	Securacode PTX-4 & wallswitch pack	01220
30	Transmitter grey buttons PTX-4	01210
31	Transmitter red buttons PTX-4	01211
32	PTX holder	05196
33	Alkaline battery A23 12V	13030
34	Plastic wall plug pack	01479
35	Cover with D/S tape	71040
36	Weight bar	71190
37	Weight bar accessory	01782
38	Security pack	01466





SGO-1v3 Elite™

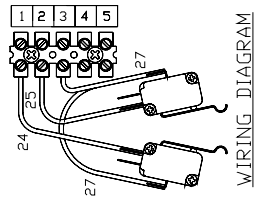
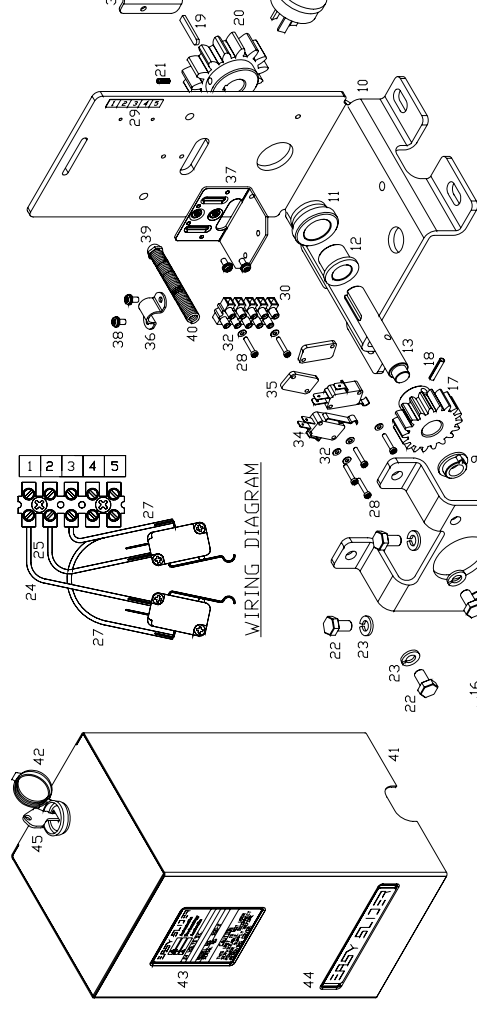
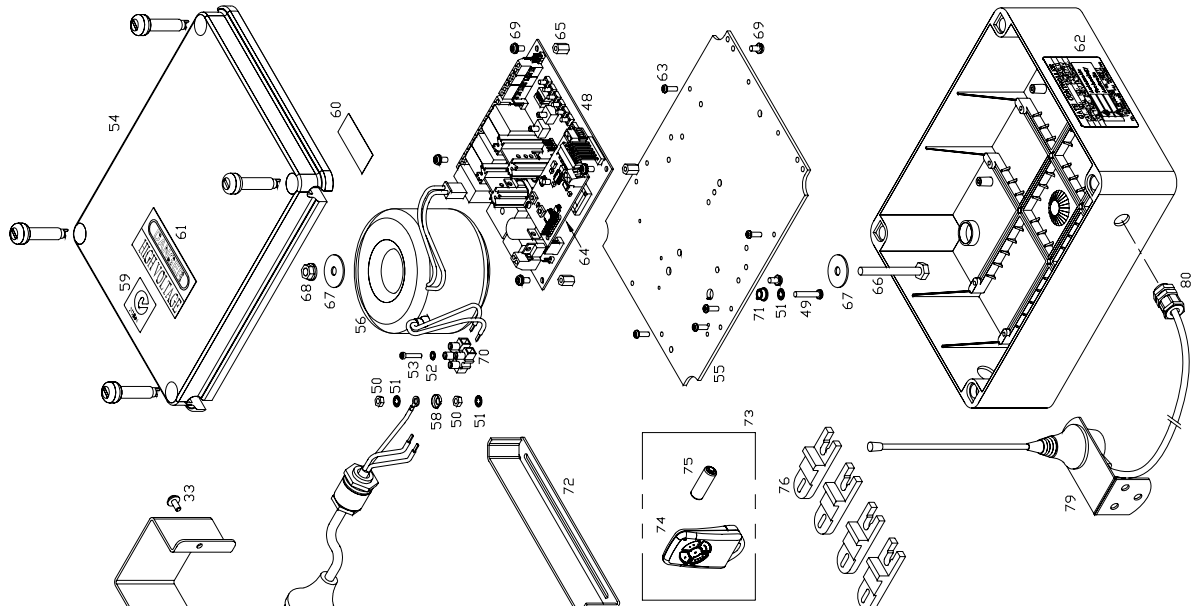
DC Swing Gate Opener





SGO-2v4 EasySlider[®]

DC Sliding Gate Opener



30	TERMINAL STRIP 323 HDS .05 PDS	05420
31	GEAR COVER (21320)	15120
32	INT. TOOTH LOCK WASHER I.D. 3	11150
33	PAN HEAD SCREW W/WASHER M4x10	10340
34	LIMITS ASSY SGO-2	00230
34	MICROSWITCH ZIPPY VMK 15H 04C	09271
35	SPRING SUPPLY (1010280)	04340
36	SPRING SUPPLY (1010280)	05290
37	SPRING SUPPLY (1010280)	05290
38	PAN HEAD SCREW W/WASHER M4x8	10320
39	SPHERICAL SPRING END (21290A)	15210
40	TENSION SPRING 10 x 70MM(1010530)	15680
41	COVER ASSY SGO-2	00181
42	TOP AND BOTTOM LOCK CAP (14644)	15220
43	SLIDER LABEL 2	15100
44	SLIDER LABEL 2	15100
45	LOCKS - KEY 2	04620
46	THRUST WASHER N1A-815	14300
47	SNAP PIN SUS 30120 S/STEEL	10760
48	CONTROL BOARD CB-9 V-302	00792
49	PAN HEAD SCREW M4x22	10300
50	HEX NUT M4	10890
51	INT. TOOTH LOCK WASHER I.D. 4	11150
52	INT. TOOTH LOCK WASHER I.D. 4	11150
53	TAP FIT SCREW *P* BLACK ZNC M3x16	10550
54	MOLDED ENCLOSURE GW 44 208	04800
55	PVC BASE PLATE	04852
56	TRANSF 150VA - 05548 240/24V	05548
57	POWER CORD CX ASSY V2 S60-1	05641
58	WASHER CUP (BRASS)	11160
59	HEX HEAD SCREW M6 x 16	10020
60	ATA ADDRESS LABEL WITHOUT LOGO	13570
61	DANGER LABEL (NEW)	13570
62	SLIDING GATE CONTROL LABEL	10690
63	TAP FIT SCREW *P* M3x10	10690
64	RECEIVER RX-2 V2.02	00962
65	HEX STAND OFF	11190
66	FLA HEAD SCREW M6x55	10263
67	FLA HEAD SCREW M6x55	10263
68	HEX HEAD SCREW M6 x 16	10020
69	PAN HD SCREW W/WASHER M4x8	10320
70	TERMINAL BLOCK 500/02PDS 2 PDS	05421
71	BUSH I.D. SK	04330
72	LIMIT STOP	15340
73	KEY RING TRANSMITTER GB PTX-4	01200
74	KEY RING TRANSMITTER GB PTX-4	01200
75	ALUMINE PA OFFY A23 12V	04820
76	BRACKETS GW 44 1621	04820
77	HELICAL GEAR W/SHAFT	15400
78	GEAR 1	04460
79	ANTENNA 4.33 Mhz WITH 2.5M COAX CABLE	01970
80	NYLON CABLE GLAND PGB-7-D7B	015622

ITEM NO.	DESCRIPTION	ORDER CODE
1	SUPPORT MOTOR SUB-ASSY	00500
2	SUPPORT MOTOR (G360)	04420
3	LOCK PIN (31102)	04350
3	COMPRESSION SPRING CML - 91-144	12372
4	E CIRCLIP J1500 0040	10630
5	O RING DIA 30MM	04550
6	GEAR ASSY SGO-2	00230
7	SUPPORT MOTOR	15060
8	PIN (0125)	03031
9	BUSH DIA 12 14616	15040
10	MAIN SUPPORT (21130)	15070
11	METAL FLANGE (21160)	15200
12	BUSH BRONZE I.D. 16 (21220)	15270
13	SPRING WASHER I.D. 16	10340
14	FLAT WASHER I.D. 16	11040
15	FLAT WASHER I.D. 16	11040
16	CAP HEAD SCREW M6 x 16	10020
17	GEAR 18 T M2.5 (21180A)	15090
18	SEL-LOCK SPRING PIN ACP M5 x 28	10630
19	KEY 2 (14615)	15180
20	GEAR 14T (24602)	15080
21	SOL SEL SCREW M4 x 10	10030
22	SPRING WASHER I.D. M6 x 4	10510
23	SPRING WASHER I.D. 8	10510
24	WIRE N11 (YELLOW) . 8	12070
25	WIRE N12 (RED)	12080
26	WIRE WHITE 65/100MM 1430/18	12020
28	PAN HEAD SCREW M3 x 16	10350
29	LABEL 1-5 TERMINAL STRIP NUMBERS	13670

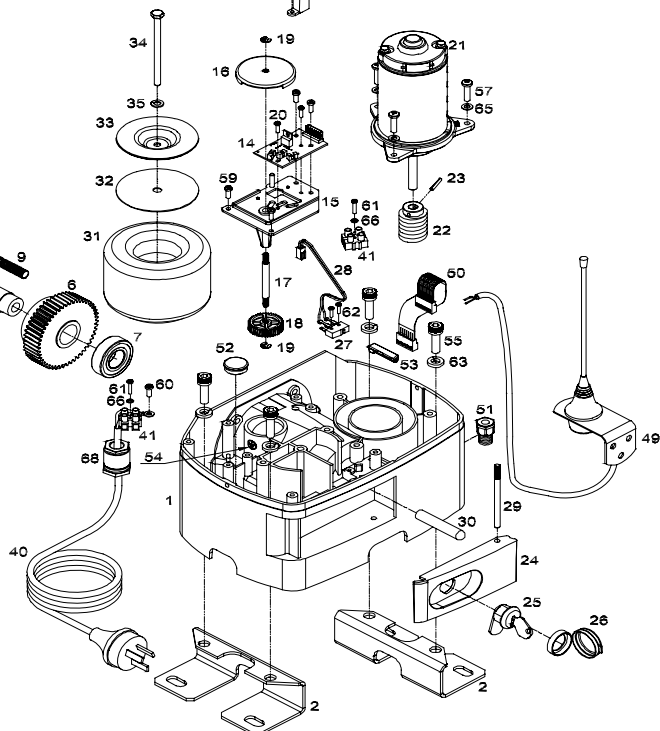
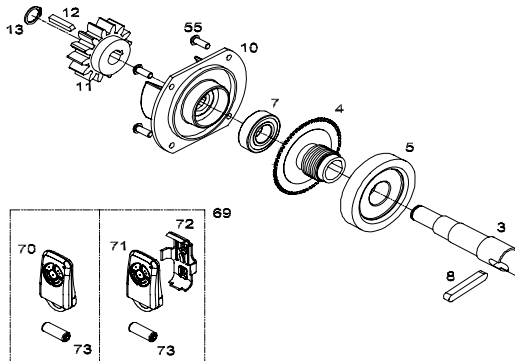
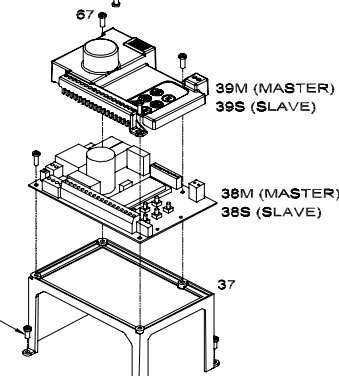
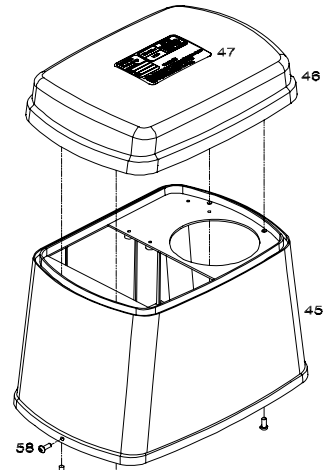




ESV-24 EasySlider®

DC Sliding Gate Opener (ALPS)

ITEM NO.	DESCRIPTION	ORDER CODE
1	BASE	02400
2	MOUNTING BRACKET EXT	02502
3	SHAFT 271555	04504
4	QUAD COUNTER	02450
5	PARTITION MOULDED	02440
6	HELICAL GEAR 5015	04050
7	BALL BEARING 6004.2RS	03900
8	KEY 8750	04404
9	COMPRES. SPRING 91501	02872
10	SHAFT BEARING HOUSING	02410
11	GEAR 14T	15201
12	KEY 528	15180
13	EXTERNAL CIRCLIP D1400 0160	10780
14	QUAD-GRAY 3.02 BOARD	01698
15	PLATE TIMING	02702
16	LIMITS WHEEL	16358
17	LIMITS SHAFT 663	04030
18	HELICAL GEAR 40075	04040
19	E CIRCLIP D1500 0040	10830
20	TAPTITE SCREW 'P' M3x8	10560
21	DRIVE ASSY DCM-11	00300
22	WORM 2315	04834
23	SELLOK SPRING PIN ACP M3x20	02572
24	DOOR	02420
25	LOCKS-KEY	04620
26	TOP AND BOTTOM LOCK CAP	15220
27	MICROSWITCH ABS 111454	09261
28	M/SW HARNESS ESV24/240	12240
29	HINGE PIN	02580
30	ROD DISENGAGEMENT	02565
31	TRANSFORMER 150VA-05546 TDB-150-08	05546
32	WASHER RUBBER 75x8x1	04887
33	WASHER CAP 75x8.2x10.2HX1.5T	11165
34	HEX HEAD SCREW M6x75	10281
35	SPRING WASHER I.D 8	10980
37	PCB SUPPORT	02430
38M	CONTROL BOARD CB-11 V-1.02 MASTER	01060
38S	CONTROL BOARD CB-11 V-1.02 SLAVE	01062
39M	PCB COVER ASSY ESV24/240 MASTER	02490
39S	PCB COVER ASSY ESV24/240 SLAVE	02481
40	POWER CORD 1.5M W2PIN+1 RING	14150
41	TERMINAL BLOCK 500/02DS 2 POS	05421
45	COVER SLIDER	02460
46	TOP COVER	02470
47	SLIDER LABEL ESV24	13572
48	TAPTITE SCREW 'P' M4x10	10570
49	ANTENNA 433MHz WITH 3.0m COAX CABLE	01971
50	Q-Q 301 HARNESS ASSY	01795
51	NYLON CABLE GLAND PGB7-07B	05622
52	PLUG-DIA 21 HOLE	11881
53	PLUG 8x32	11885
54	EARTH LABEL	13704
55	CAP HEAD SCREW M8x25	10070
56	BUTTON HEAD SCREW S.S M6x16	10023
57	PAN HEAD SCREW ZnCROM M5x15	10474
58	BUTTON HEAD SCREW ZnCROM M4x10	10027
59	PAN HEAD SCREW W/WASHER M4x10	10340
60	PAN HEAD SCREW W/WASHER M4x8	10320
61	PAN HEAD SCREW M3x14	10360
62	PAN HEAD SCREW M2.5x10	10375
63	SPRING WASHER I.D 8	10950
64	CABLE TIE# GT-100M	14160
65	SPRING WASHER I.D 5	10970



66	INTERNAL TOOTH LOCK WASHER I.D 3	11150
67	TAPTITE SCREW 'P' M4x12	10569
68	NYLON GLAND M16-07B	05621
69	SECURACODE PTX-4 & WALLSWITCH PACK	01220
70	TRANSMITTER GREY BUTTONS PTX-4	01210
71	TRANSMITTER RED BUTTONS PTX-4	01211
72	PTX HOLDER	05196
73	ALKALINE BATTERY A23 12V	13030
74	PLASTIC WALL PLUG PACK	01479

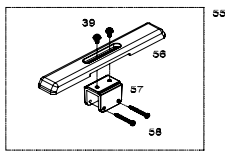
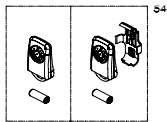




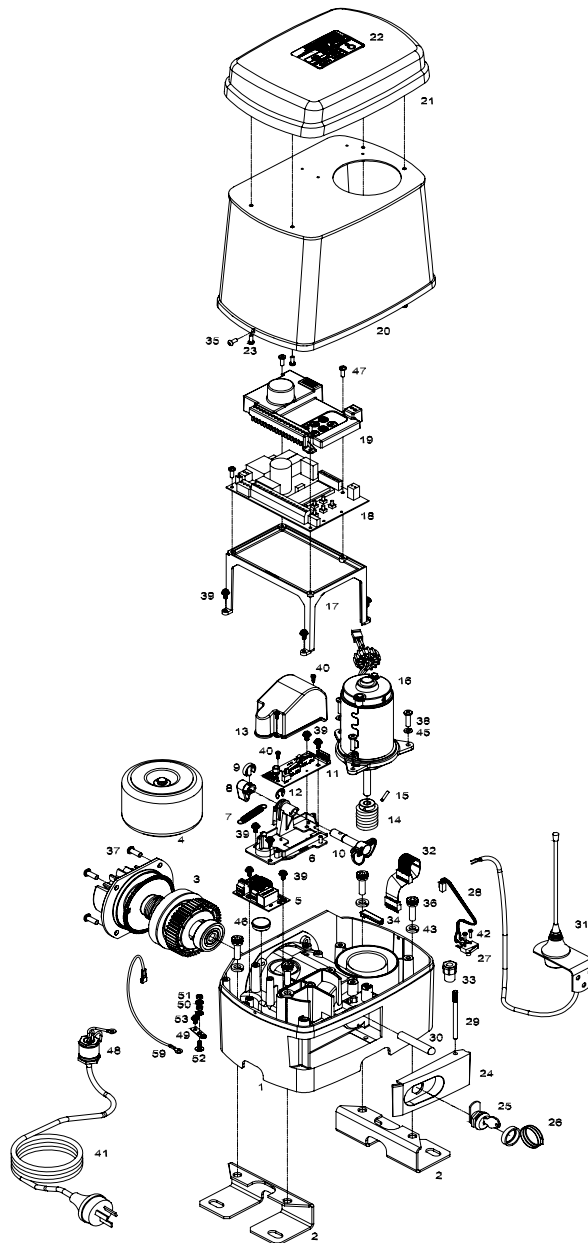
ESV-24MS EasySlider®

DC Sliding Gate Opener (Microswitches)

Item/description	order code
1. Base	02400
2. Mounting bracket ext	02502
3. Drive train ASSY ESV24	01880
4. Transformer TDB-150-08 kit	02025
5. EMC filter board EMC-3.02	01447
6. Timing platform	03226
7. Ext. spring 8.2 x 41	15681
8. Actuating Arm	15345
9. Chopper clip	04960
10. CAM limit ASSY	01702
11. Quad QMS-1.01 board	01675
12. E circlip D1500 0070	10815
13. Dust cover	03224
14. Worm 2315	04934
15. Sel-lock pin spring ACP M3 x 20	02576
16. DC motor 11_V4 ASSY	00383
17. PCB support	02430
18. Control board CB-11 V-1.09	01076
19. PCB cover ASSY ESV24/240 master	02490
20. Cover EasySlider® MS	02461
21. Top cover	02470
22. EasySlider® label ESV24/240	13570
23. Taptite screw 'P' M4 x 10	10570
24. Door	02420
25. Locks-key	04620
26. Top and bottom lock cap	15220
27. Microswitch ABS 111454	09261
28. M/SW harness ESV24/240	12240
29. Hinge pin	02560
30. Rod disengagement	02565
31. Antenna 433MHz L=1.95m coax cable	01972
32. Q-G 301 harness ASSY	01795
33. Gland MGB12-07B-ST-XA	05623
34. Plug - 8 x 32	11885
35. Button head screw ZnCROM M4 x 10	10027
36. Cap head screw M8 x 25	10070
37. Button head screw S.S M6 x 16	10023
38. Pan head screw ZnCROM M5 x 16	10474



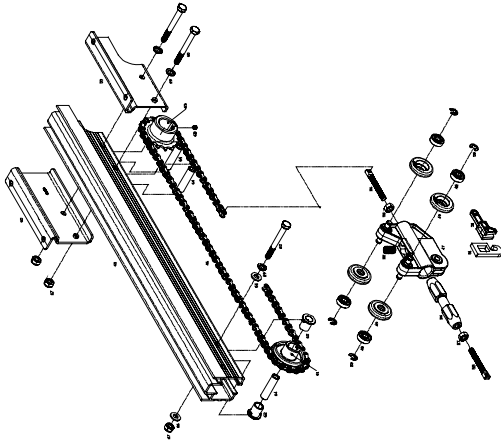
39. Pan head screw w/washer M4 x 10	10340
40. Taptite screw 'P' M3 x 8	10560
41. Power cord 1.5m W2PIN + 1R	14150
42. Pan head screw M2.5 x 10	10375
43. Spring washer I.D 8	10950
44. Cable tie 4" GT-100M	14160
45. Spring washer I.D 5	10970
46. Plug - dia 21 hole	11881
47. Taptite screw 'P' M4 x 12	10569
48. Nylon gland M16-07B	05621
49. Earth terminal	05695
50. Int tooth lock washer I.D 4	11140
51. Hex nut M4	10890
52. Seration head screw M4 x 12	10380
53. Pan head screw w/washer M4 x 8	10320
54. Securacode PTX-4 twin pack	01225
55. Accessory actuator pack ESV	01463
56. Actuator block	15343
57. Actuator mounting block	15344
58. Taptite screw 'P' M4 x 30	10565
59. Wire earth ASSY	12150



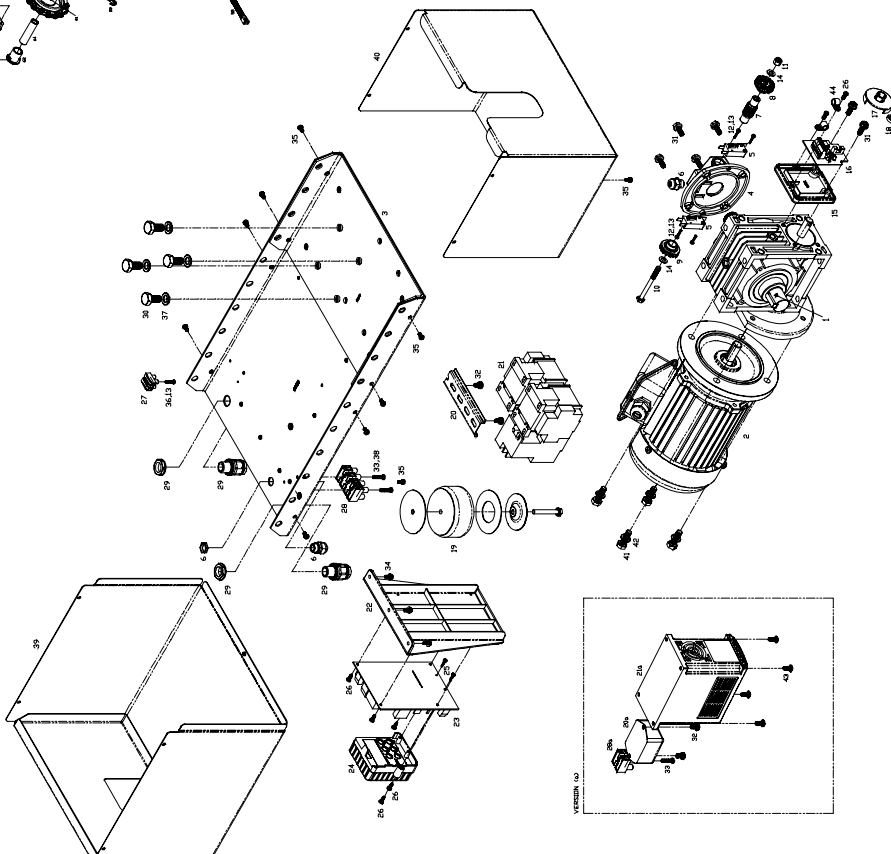


Axcess[®] 1100

Industrial Overhead Door Opener



ITEM No.	DESCRIPTION	ORDER CODE
13	PACK (222223) KIT (022223)	022223
14	AC MOTOR 3/8W 3P 410 DELTA	14500
15	GEAR ASSY (122222)	02715
16	LIMIT (022222) BASE (122222)	02710
17	WHEEL (022222)	02712
18	WHEEL BEARING (022222)	02713
19	WHEEL (022222)	02714
20	INDEX FINGER (022222)	02715
21	INDEX FINGER (022222)	02716
22	COMPRESSION SPRING 1.2 (022222)	02717
23	E CIRCLIP 2160 0070	02718
24	CAM INDEX HEX 18 (122222)	02719
25	CAM SCREW (022222)	02720
26	CAM SCREW LEFT (022222)	02721
27	HEX NUT LEFT (022222)	02722
28	HEX NUT LEFT (022222)	02723
29	BRACKET R.L. (122222)	02724
30	BRACKET L.L. (122222)	02725
31	CAM WHEEL (022222)	02726
32	BUSH (022222)	02727
33	SPROCKET (022222)	02728
34	SLEEVE (022222)	02729
35	HEX HEAD SCREW 1/8 X 7/16	02730
36	FLAT WASHER 1/8	02731
37	LOCK WASH 1/8	02732
38	SCREW (022222)	02733
39	SPRING WASHER 1/8 X 1/2	02734



1	REDUCER 1/2 INCH W/ 1/40
2	AC MOTOR 3/8W 3P 410 DELTA
3	GEAR ASSY (122222)
4	LIMIT (022222) BASE (122222)
5	WHEEL (022222)
6	WHEEL BEARING (022222)
7	WHEEL (022222)
8	INDEX FINGER (022222)
9	INDEX FINGER (022222)
10	COMPRESSION SPRING 1.2 (022222)
11	E CIRCLIP 2160 0070
12	CAM INDEX HEX 18 (122222)
13	CAM SCREW (022222)
14	CAM SCREW LEFT (022222)
15	HEX NUT LEFT (022222)
16	HEX NUT LEFT (022222)
17	BRACKET R.L. (122222)
18	BRACKET L.L. (122222)
19	CAM WHEEL (022222)
20	BUSH (022222)
21	SPROCKET (022222)
22	SLEEVE (022222)
23	HEX HEAD SCREW 1/8 X 7/16
24	FLAT WASHER 1/8
25	LOCK WASH 1/8
26	SCREW (022222)
27	SPRING WASHER 1/8 X 1/2
28	TERMINAL BLOCK (022222)
29	TERMINAL BLOCK (022222)
30	HEX HEAD SCREW 1/8 X 1/2
31	HEX HEAD SCREW 1/8 X 1/2
32	HEX HEAD SCREW 1/8 X 1/2
33	HEX HEAD SCREW 1/8 X 1/2
34	HEX HEAD SCREW 1/8 X 1/2
35	HEX HEAD SCREW 1/8 X 1/2
36	HEX HEAD SCREW 1/8 X 1/2
37	HEX HEAD SCREW 1/8 X 1/2
38	HEX HEAD SCREW 1/8 X 1/2
39	HEX HEAD SCREW 1/8 X 1/2
40	HEX HEAD SCREW 1/8 X 1/2
41	HEX HEAD SCREW 1/8 X 1/2
42	HEX HEAD SCREW 1/8 X 1/2
43	HEX HEAD SCREW 1/8 X 1/2
44	HEX HEAD SCREW 1/8 X 1/2





smart | simple | secure





smart | simple | secure





© April 2008 Automatic Technology (Australia) Pty Ltd. All rights reserved. EasyRoller®, Aussie Roller®, SecuraLift®, Elite™, EasySlider®, Axess®, TrioCode™ and SecuraCode® are trademarks of Automatic Technology (Australia) Pty Ltd. No part of this document may be reproduced without prior permission. In an ongoing commitment to product quality we reserve the right to change specification without notice. E&OE.

automatic
TECHNOLOGY

smart | simple | secure

an alesco company

Automatic Technology (Australia) Pty Ltd

ABN 11 007 125 368

6-8 Fiveways Boulevard
Keysborough, Victoria, 3173, Australia

P 1300 133 944

+61 2 9722 5666 (International Enquiries Only)

E sales@ata-aust.com.au

www.ata-aust.com.au